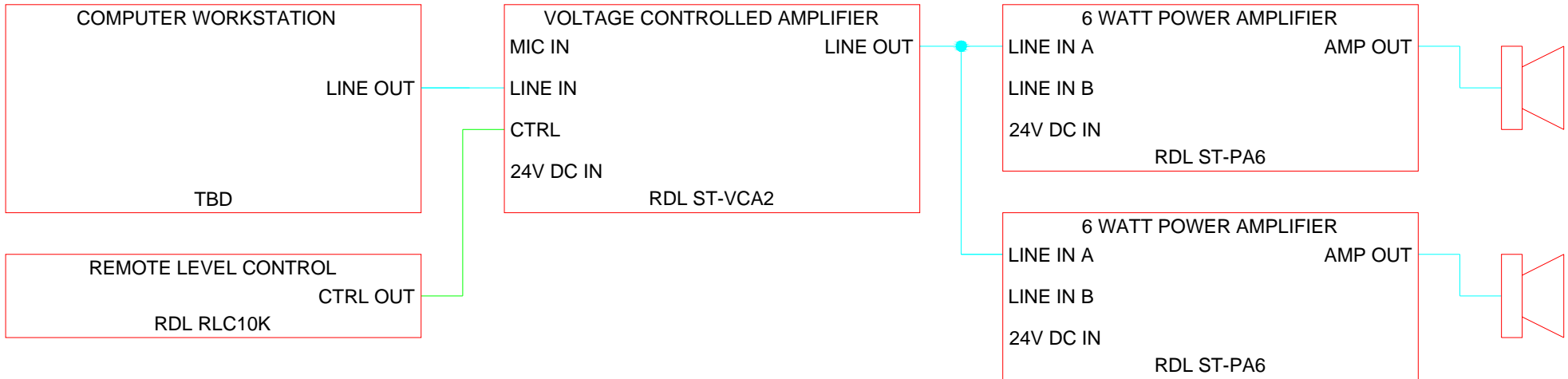


This application demonstrates one way of configuring an audio system using a computer workstation for instructional presentations. The audio level is controlled by an RDL ST-VCA2 and an RDL RLC10K remote control. The speakers are powered by two RDL ST-PA6s. The RLC10K may be mounted in any convenient location (desktop, podium or wall mounted) giving the instructor direct volume control of the audio system level. Note: The RDL [SR-4](#) enclosure may be used to conveniently mount all the modules.



## RDL PRODUCTS

1	<a href="#">RLC10K</a>	Remote Level Control	<a href="#">RLC10K</a>	Pegelfernbedienung	<a href="#">RLC10K</a>	Control Remoto de Nivel	<a href="#">RLC10K</a>	Contrôle de Niveau à Distance
2	<a href="#">ST-PA6</a>	Audio Power Amplifier	<a href="#">ST-PA6</a>	6-Watt Leistungsverstärker	<a href="#">ST-PA6</a>	Amplificador de Utilidad de 6 Vatios	<a href="#">ST-PA6</a>	Amplificateur de Puissance
1	<a href="#">ST-VCA2</a>	Voltage Controlled Amplifier	<a href="#">ST-VCA2</a>	Spannungsgeregelter Verstärker	<a href="#">ST-VCA2</a>	Amplificador Controlado por Voltaje	<a href="#">ST-VCA2</a>	Amplificateur Contrôlé par Tension VCA