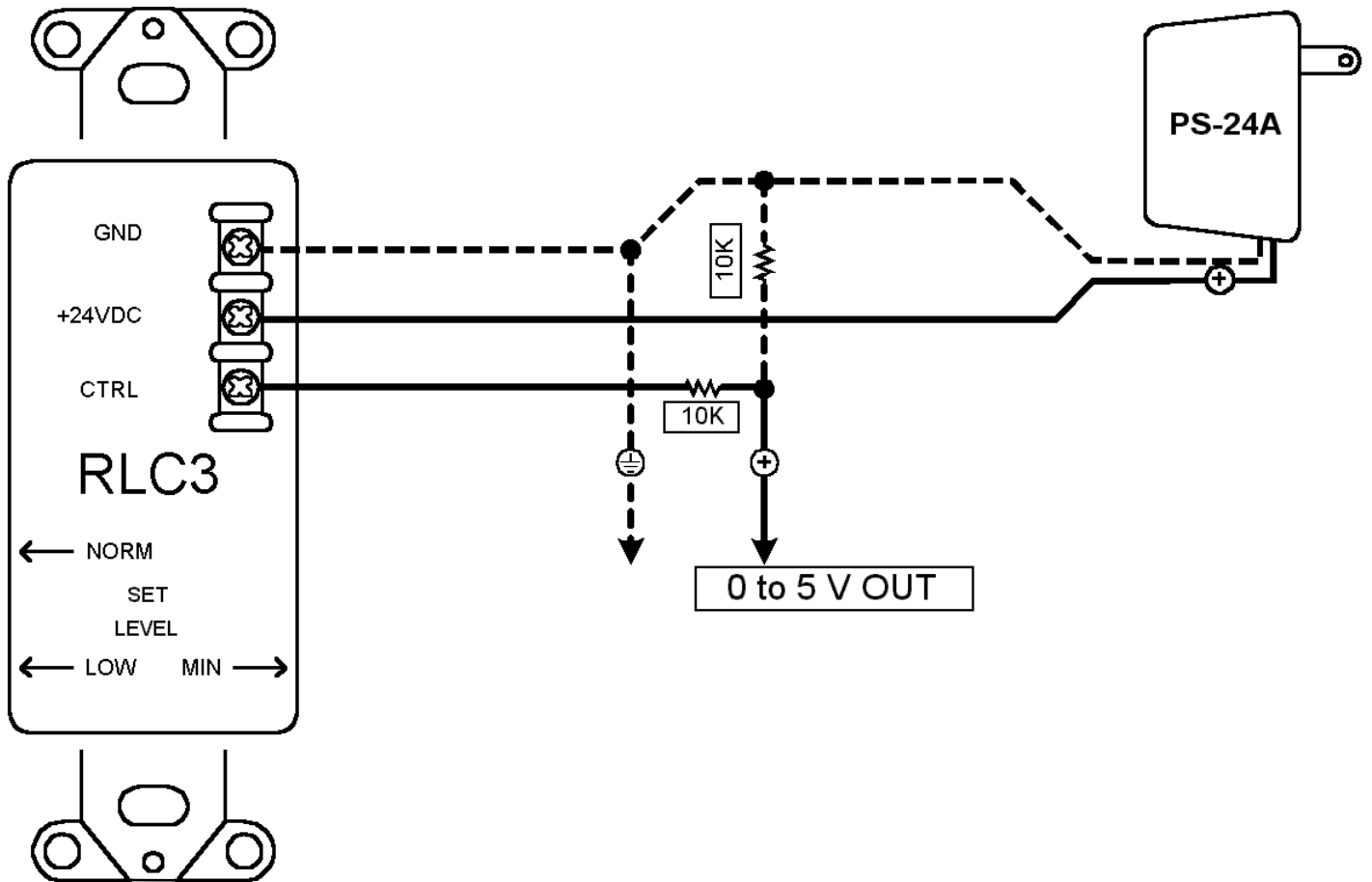


0 to 5Vdc with RLC-3 Controller

This application allows the RLC3 to control modules that require 0 to 5Vdc control with 4 presets.



RDL Products

1 [RLC-3](#) Remote Level Control

1 [RLC-3](#) Réglage à distance du volume

1 [RLC-3](#) Fernbedienung

1 [RLC-3](#) Control Remoto Para Nivel