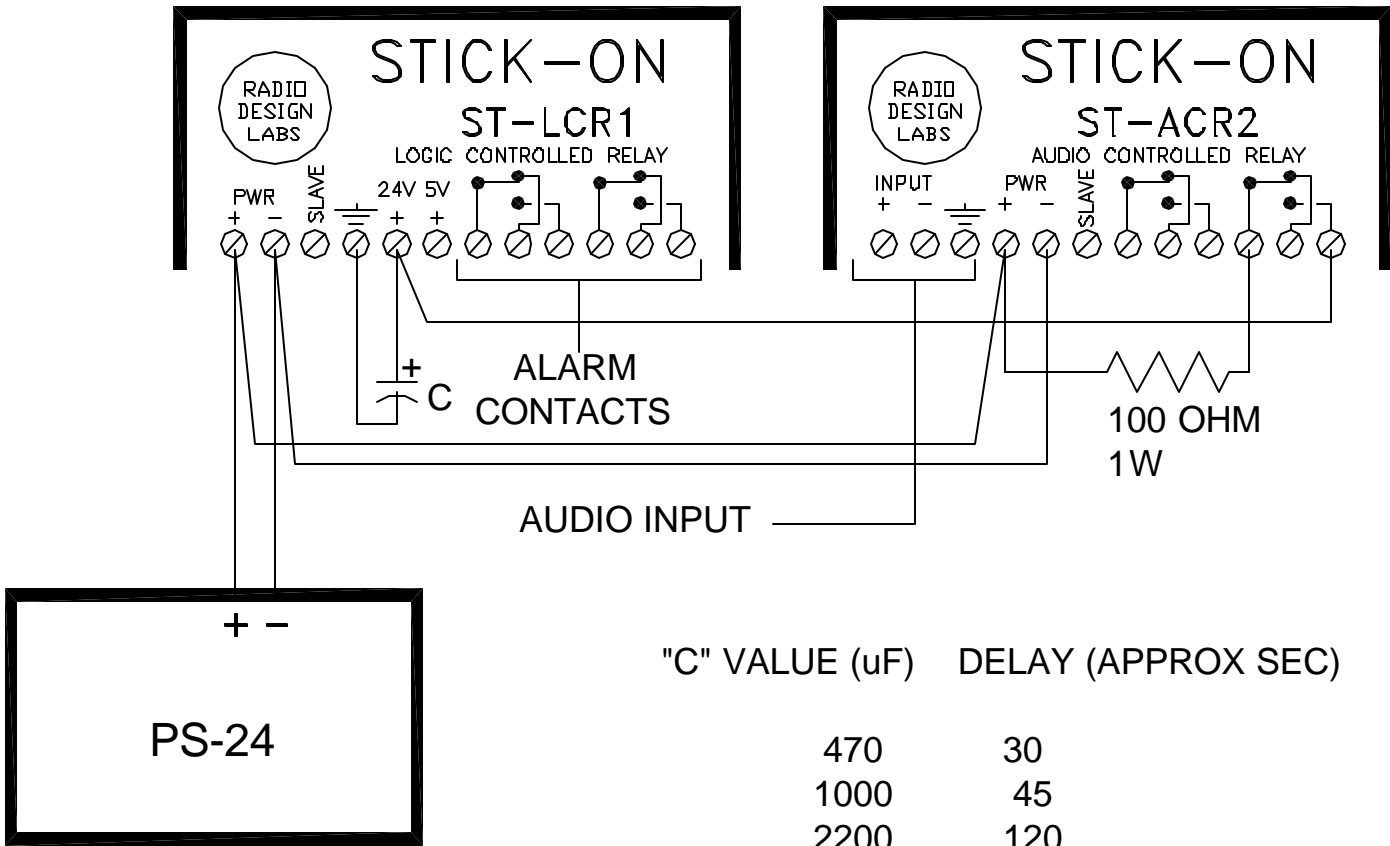


EXTENDING ST-ACR RELEASE DELAY



This circuit is designed to extend the release delay time of the ST-ACR1, or ST-ACR2. This is intended primarily for silence sensing where a longer delay is required. The ST-LCR1 is normally held "ON" when the ST-ACR senses audio. When audio is lost, the ST-ACR times out according to the adjustable release delay selected on it. Then, the capacitor "C" begins to discharge. When it is sufficiently discharged, the ST-LCR1 drops out.

The "hold-on" delay shown in the table, above, is in addition to the delay obtained by the ST-ACR. For example, if an ST-ACR2 is used, and "C" is 1000uf, the over all delay would be adjustable from 50 seconds to 95 seconds (5 + 45 to 50 + 45).