

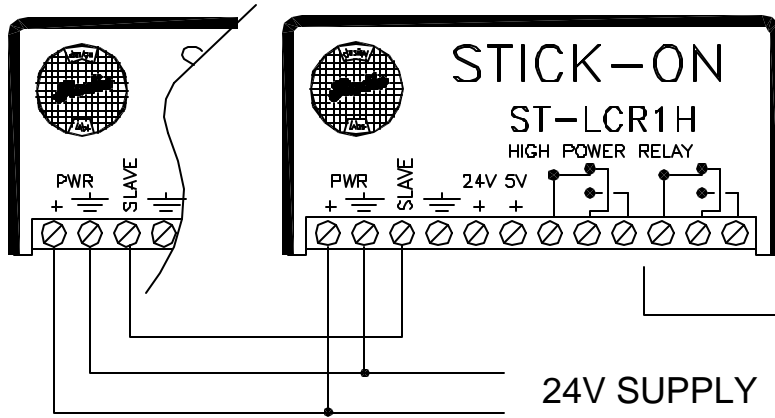
# ADDING SLAVE RELAYS

RDL MODULE  
WITH SLAVE  
TERMINAL

ST-LCR1H IS  
CONTROLLED BY  
LEFT MODULE

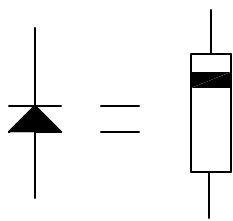
USE ST-LCR1 FOR SIGNALS

USE ST-LCR1H FOR HIGH  
POWER LOADS

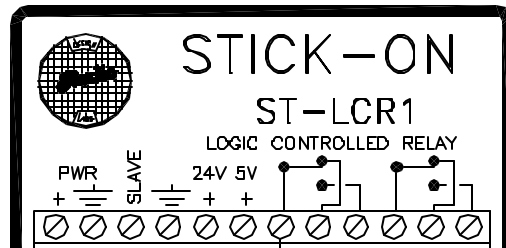


UP TO 8A SWITCHING

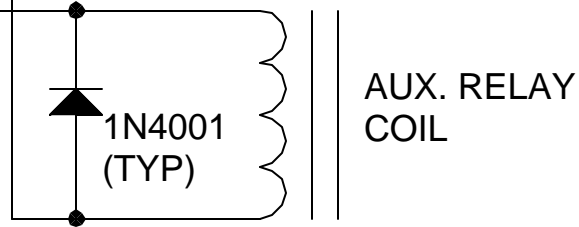
24V SUPPLY



NOTE: DIODE IS REQUIRED  
FOR RELIABLE STICK-ON  
OPERATION



CONNECT TO EITHER  
N.O. OR N.C. CONTACTS  
AS REQUIRED IN APPLICATION



AUX. RELAY  
COIL

THIS APPLICATION APPLIES TO ANY OF THE STICK-ON UNITS WHICH USE A RELAY  
AS AN OUTPUT DEVICE (ST-ACR1, -ACR2, -LCR1, -LCR2, ETC)