

ACCESSORIES
Model AMS-10KA
10K Audio Taper
Pot & Knob Assembly
Terminal block connections

- Mounts in D-Style Standard Cutouts
- Mounts in all AMS Mounting Frames
- Mounts in RDL Decora-Style Wall Plates
- Availability of a Wide Variety of Associated AMS Accessories
- Bezel Provides Professional Aesthetic Appearance
- Provides Flexibility for Connections and Controls



The AMS SYSTEM is a versatile product group from Radio Design Labs. The unique design allows the associated AMS accessories to mount into any standard RDL RACK-UP® or HALF-RACK mounting opening as well as other RDL mounting accessories and enclosures. These optionally available RDL rack mount, wall mount and countertop enclosures make the AMS SYSTEM accessories useful in a wide variety of installations.

APPLICATION: The AMS-10KA is an accessory equipped with a single-turn audio taper pot for a user to adjust an audio level. It is designed for the adjustable attenuation of an unbalanced audio signal. The AMS-10KA contains a long-life 10 k Ω audio taper potentiometer for adjusting the audio level. A high quality terminal block is provided for external connections. The AMS-10KA mounts in AMS mounting frames and in standard D-style cutouts. The front plate and bracket are constructed of black satin powder coated steel. A molded black plastic bezel is provided to finish the D-style cutout hole when the accessory is mounted. These accessories are designed to mount behind the front panel of industry products that provide D-style cutouts.

ACCESSORIES

Model AMS-10KA

10K Audio Taper

Pot & Knob Assembly

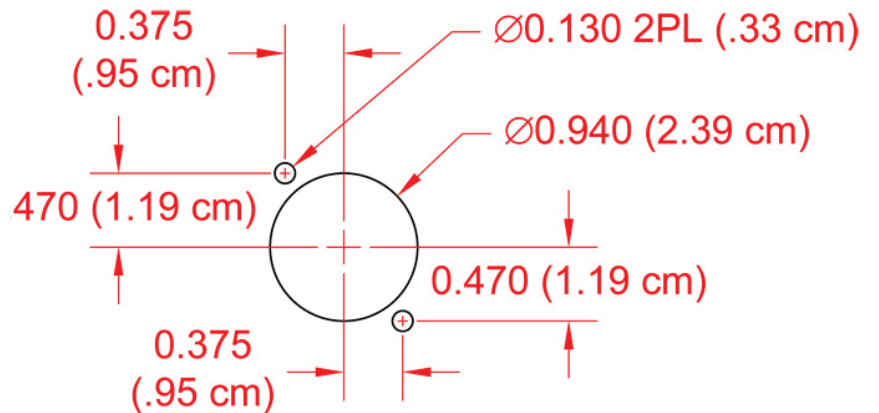
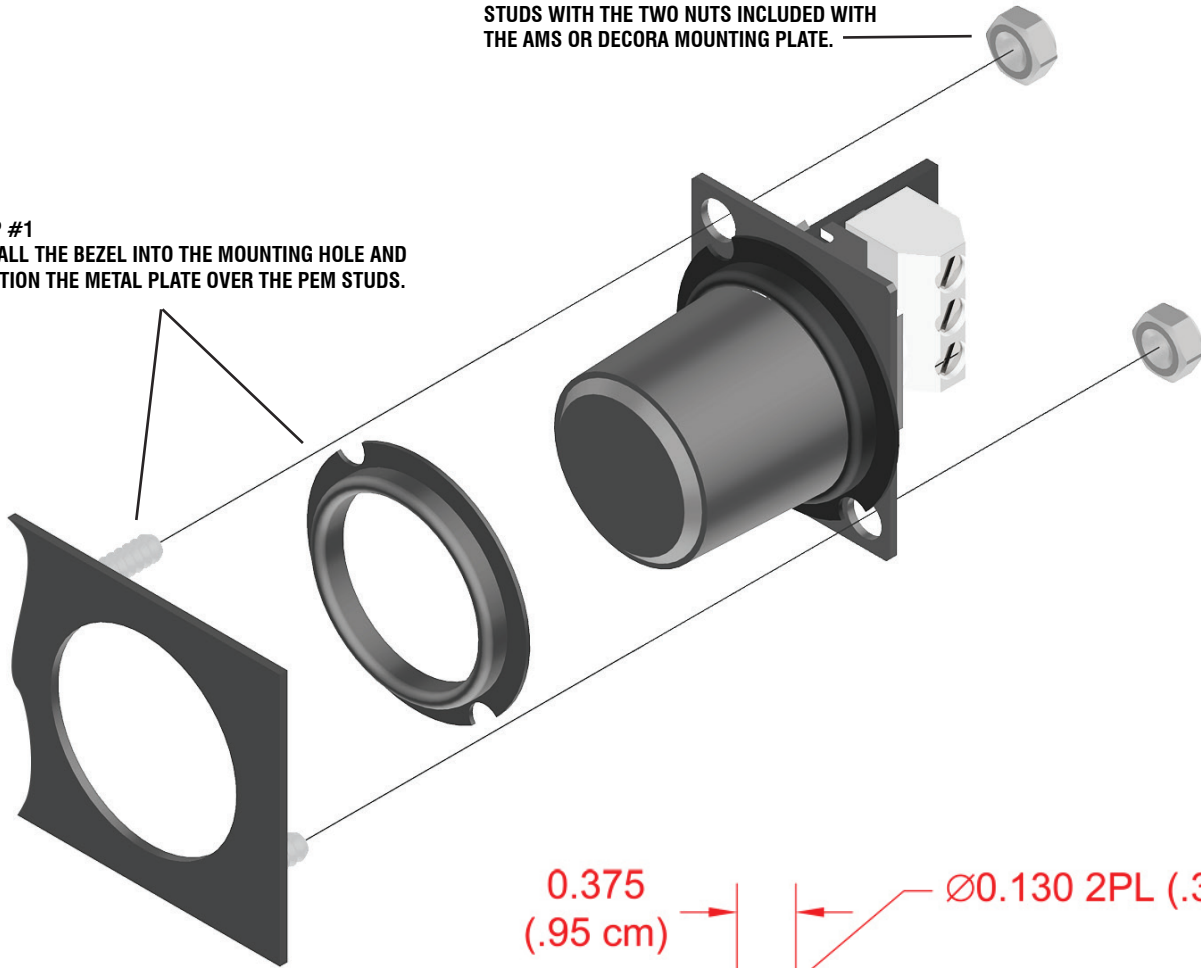
Terminal block connections

Installation/Operation

CE Declaration of Conformity available from rdlnet.com.
Sole EMC specifications provided on product package.
Specifications are subject to change without notice.

STEP #1
INSTALL THE BEZEL INTO THE MOUNTING HOLE AND
POSITION THE METAL PLATE OVER THE PEM STUDS.

STEP #2
SECURE THE AMS-10KA ONTO THE PEM
STUDS WITH THE TWO NUTS INCLUDED WITH
THE AMS OR DECORA MOUNTING PLATE.



Front View
Standard D-Style Cutout Dimensions

TYPICAL PERFORMANCE

Mounting:	AMS mounts; D-Style cutouts
Depth (behind the panel):	1.00 in
Ambient Operating Environment:	0 to 70 degrees C