



RDL[®]
Radio Design Labs

SPECIALISTS IN PRACTICAL PRECISION ENGINEERING™



ACCESSORIES

Model AMS-EM1

AMS MOUNTING PLATE FOR
EURO 45MM WALL PLATES

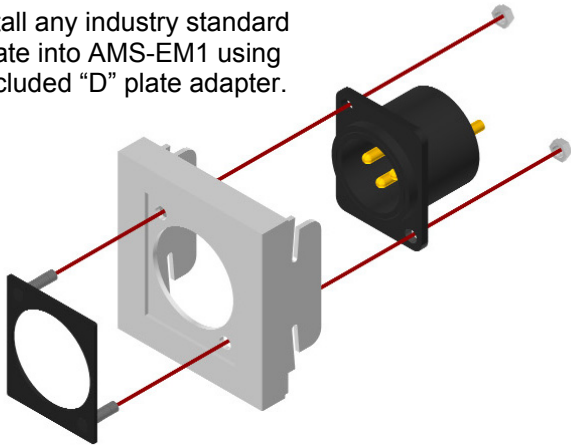
Installation/Operation



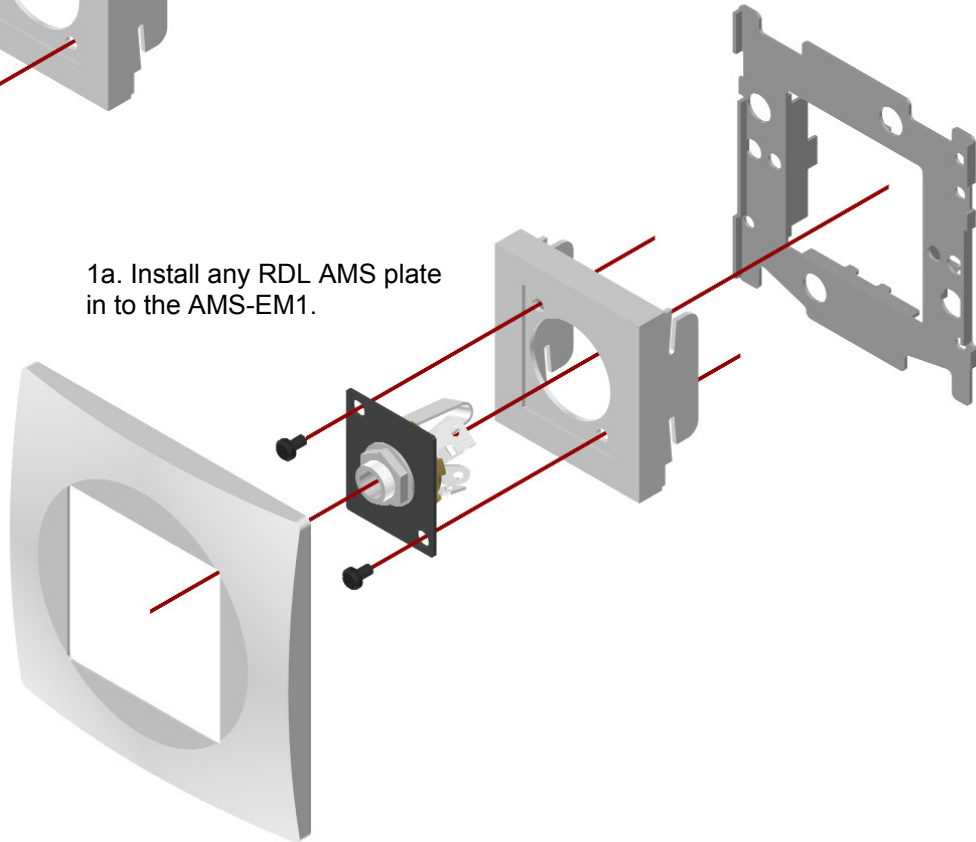
EN55103-1 E1-E5; EN55103-2 E1-E4

Typical Performance reflects product at publication time
exclusive of EMC data, if any, supplied with product.
Specifications are subject to change without notice.

1. Install any industry standard
"D" plate into AMS-EM1 using
the included "D" plate adapter.



1a. Install any RDL AMS plate
in to the AMS-EM1.



Radio Design Labs Technical Support Centers

U.S.A. (800) 933-1780, (928) 778-3554; Fax: (928) 778-3506

Europe [NH Amsterdam] (+31) 20-6238 983; Fax: (+31) 20-6225-287