

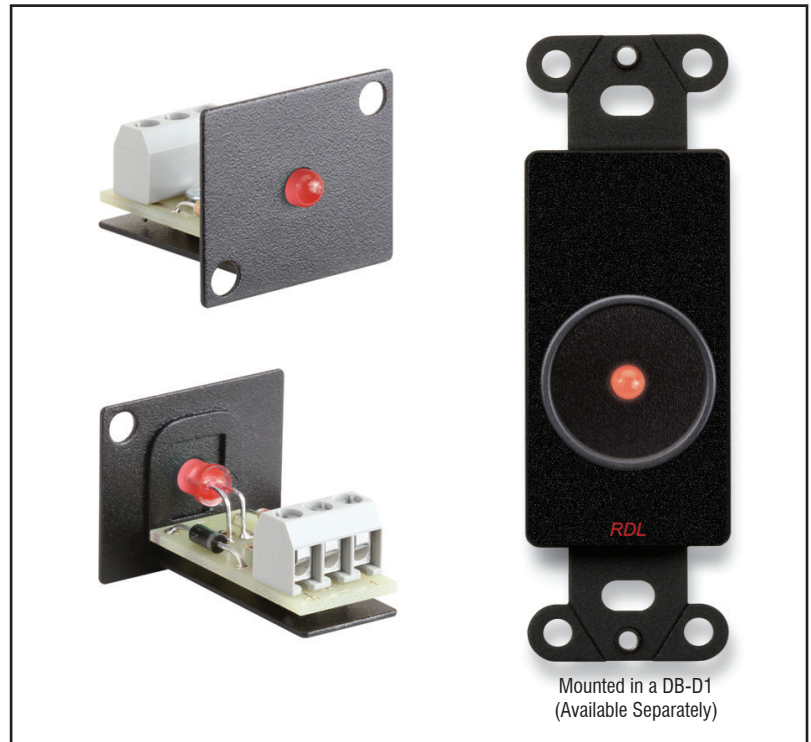
## ACCESSORIES

### Model AMS-LEDR

#### LED Indicator - Red

#### Terminal block connections

- Mounts in D-Style Standard Cutouts
- Mounts in all AMS Mounting Frames
- Mounts in RDL Decora-Style Wall Plates
- Availability of a Wide Variety of Associated AMS Accessories
- Bezel Provides Professional Aesthetic Appearance
- Provides Flexibility for Connections and Controls



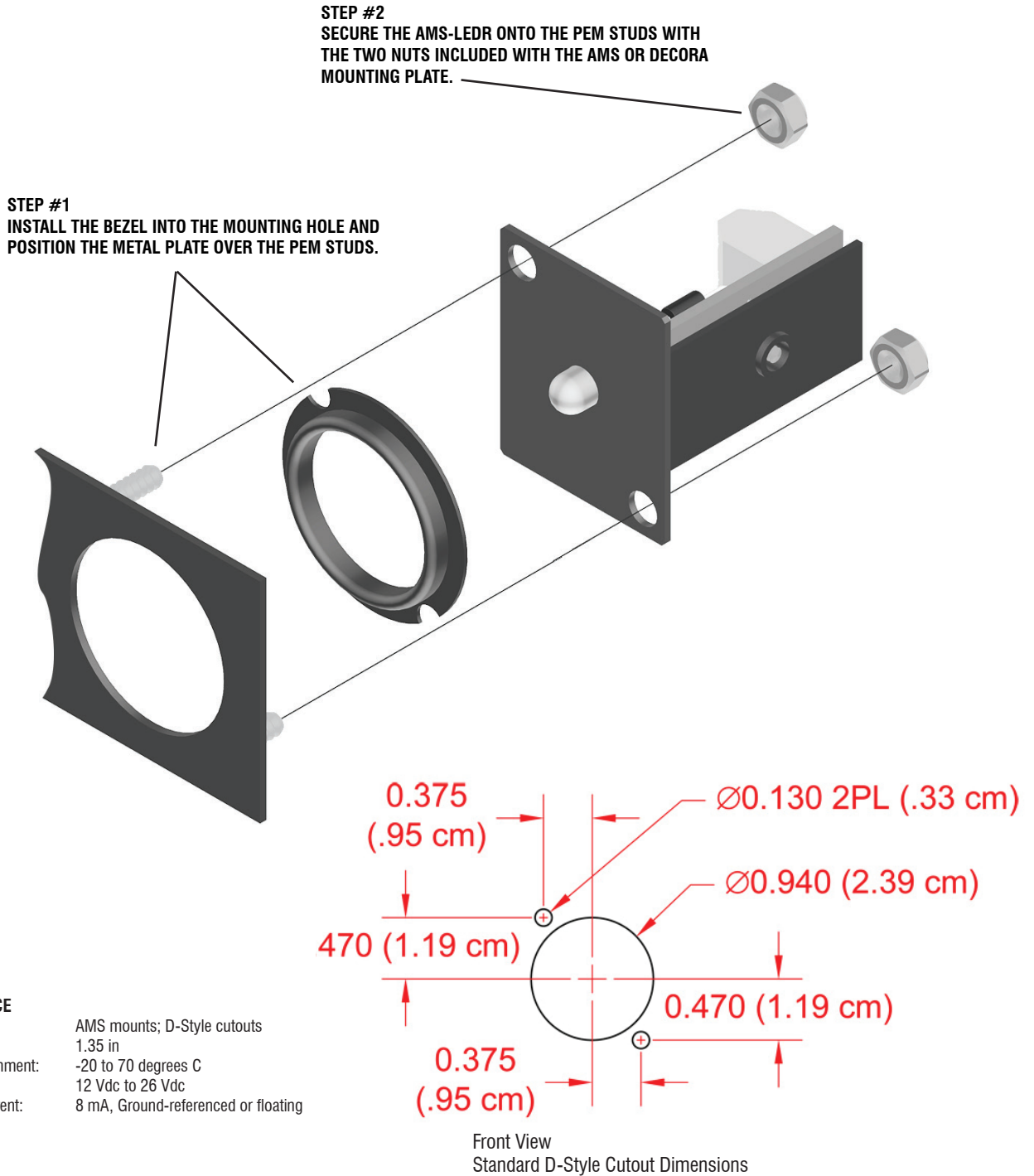
The AMS SYSTEM is a versatile product group from Radio Design Labs. The unique design allows the associated AMS accessories to mount into any standard RDL RACK-UP® or HALF-RACK mounting opening as well as other RDL mounting accessories and enclosures. These optionally available RDL rack mount, wall mount and countertop enclosures make the AMS SYSTEM accessories useful in a wide variety of installations.

**APPLICATION:** The AMS-LEDR is an accessory with a red LED indicator that mounts in AMS mounting frames and in standard D-style cutouts. A high quality terminal block is provided for the connections. The LED is powered from an external 24 Vdc. The input is protected against reverse voltage. The front plate and bracket are constructed of black satin powder coated steel. A black plastic bezel is provided to finish the D-style cutout hole when the accessory is mounted. These accessories are designed to mount behind the front panel of industry products that provide D-style cutouts.

**ACCESSORIES**  
**Model AMS-LEDR**  
**LED Indicator - Red**  
**Terminal block connections**

**Installation/Operation**

**CE** Declaration of Conformity available from rdlnet.com.  
Sole EMC specifications provided on product package.  
Specifications are subject to change without notice.



**TYPICAL PERFORMANCE**

Mounting:	AMS mounts; D-Style cutouts
Depth (behind the panel):	1.35 in
Ambient Operating Environment:	-20 to 70 degrees C
Input Voltage Range:	12 Vdc to 26 Vdc
24 Vdc power supply current:	8 mA, Ground-referenced or floating