

ACCESSORIES

Model AMS-XLRMA

Selectable Mic/Line XLR

Output with Phantom Block

- Attenuation Selector: Unity or 50 dB (mic output for a line input)
- XLR Connector Protected from Phantom Voltage up to 55 Vdc
- Mounts in D-Style Standard Cutouts
- Mounts in all RDL AMS Mounting Frames
- Mounts in RDL Decora-Style Wall Plates
- Availability of a Wide Variety of Associated AMS Accessories



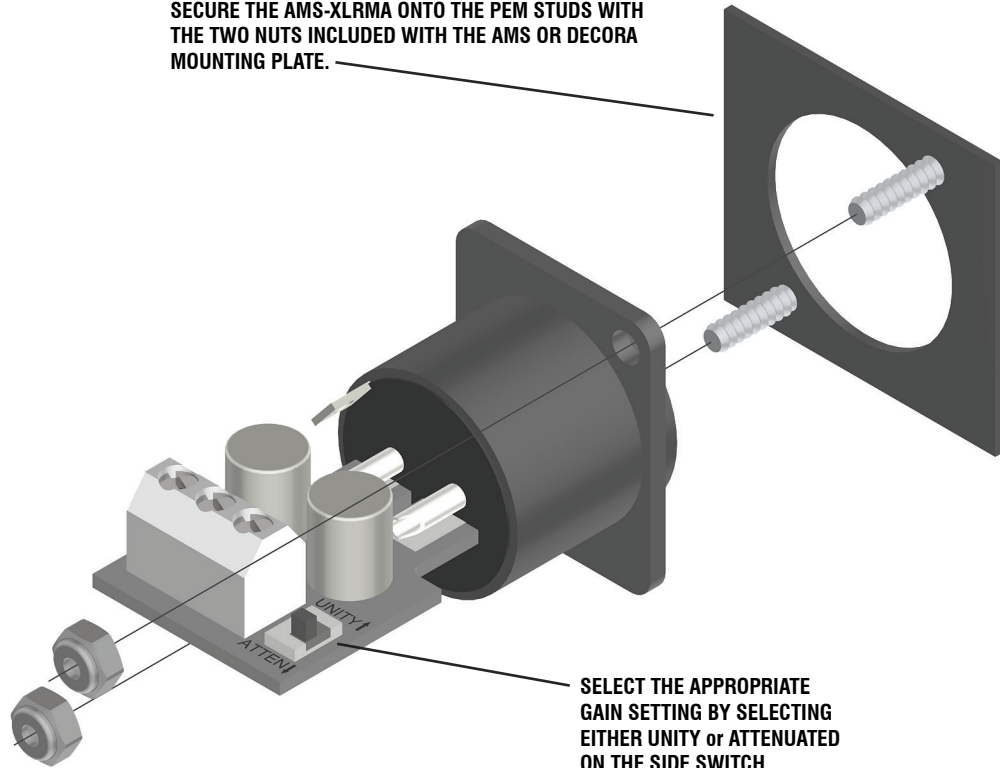
The AMS SYSTEM is a versatile product group from Radio Design Labs. The unique design allows the associated AMS accessories to mount into any standard RDL RACK-UP® or HALF-RACK mounting opening as well as other RDL mounting accessories and enclosures. These optionally available RDL rack mount, wall mount and countertop enclosures make the AMS SYSTEM accessories useful in a wide variety of installations.

APPLICATION: The AMS-XLRMA is a metal male XLR connector equipped with a high quality terminal block for audio connections, a switch-selectable audio attenuator and protection from phantom voltage. The connector mounts in AMS mounting frames and in standard D-style cutouts. The XLR output is equipped with a Unity/Attenuated level switch that provides a nominal 50 dB of attenuation to feed the microphone input of a mixer-amplifier or other equipment with mic inputs. Without attenuation, the AMS-XLRMA may be used solely to block phantom voltage from the mic output of the equipment feeding the AMS-XLRMA terminal block. With attenuation, the AMS-XLRMA provides a phantom-protected mic output for a line-level audio source feeding the AMS-XLRMA.

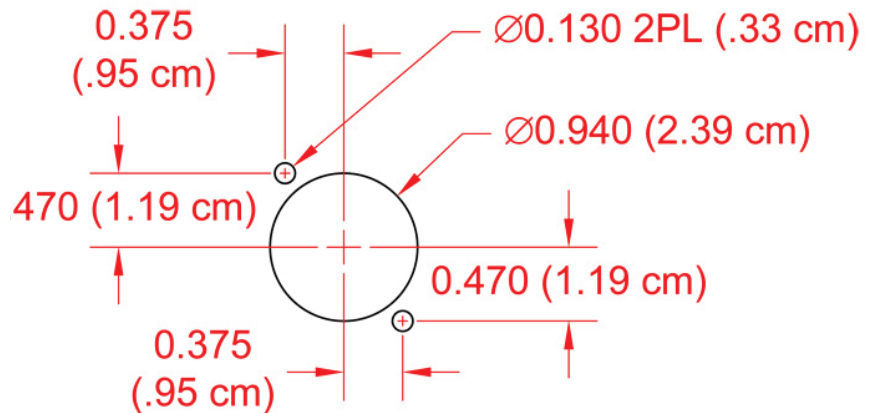
ACCESSORIES
Model AMS-XLRMA
Selectable Mic/Line XLR
Output with Phantom Block

Installation/Operation

STEP #1
SECURE THE AMS-XLRMA ONTO THE PEM STUDS WITH THE TWO NUTS INCLUDED WITH THE AMS OR DECORA MOUNTING PLATE.



SELECT THE APPROPRIATE GAIN SETTING BY SELECTING EITHER UNITY or ATTENUATED ON THE SIDE SWITCH.
(Attenuated is 50 dB below unity)



Front View
Standard D-Style Cutout Dimensions

TYPICAL PERFORMANCE

Mounting:	AMS mounts; D-Style cutouts
Depth (behind the panel):	1.85 in
Ambient Operating Environment:	-20 to 70 degrees C
Attenuation (nominal):	Unity or -50 dB (switch-selectable)