



**RDL**<sup>®</sup>  
Radio Design Labs

SPECIALISTS IN PRACTICAL PRECISION ENGINEERING™

## ACCESSORIES

Models **D-RLC10KM, DB-RLC10KM, DS-RLC10KM**

### Remote Level Control with Muting

- Remote Level Control Panel
- Mute Button Toggles Output On and Off
- Red/Green On/Off Mute Indicator
- Single-Turn Rotary Control
- Single Control Location
- Direct Connection to RDL VCA Modules
- Direct Control of Modules with RJ45 VCA Control
- RJ45 or Discrete Wiring Connections
- Available in Standard RDL White, Stainless or Black



Models **D-RLC10K, DB-RLC10KS, DS-RLC10K**

### Remote Level Control

- Remote Level Control Panel
- Single-Turn Rotary Control
- Single Control Location
- Direct Connection to RDL VCA Modules
- Available in Standard RDL White, Stainless Steel or Black



The D SERIES-RLC10K and D SERIES-RLC10KM are part of the group of versatile accessory products from Radio Design Labs. These modules combine durable construction with high quality components and attractive, professional graphics. The D SERIES-RLC10K and D-SERIES-RLC10KM mount in separately available electrical wall boxes and cover plates.

**D SERIES-RLC10KM:** The -RLC10KM is the ideal companion to the RDL VCA modules where levels are to be controlled from a single remote location and pushbutton muting is desired. It is designed to directly interface with the 3-wire control input of an RDL VCA module. A single shielded pair is normally used. The -RLC10KM contains a long life 10 kΩ potentiometer for setting the control voltage. The front panel has 10 graphic increments which provide a visual indication of the level setting. A **MUTE** button alternately mutes or un-mutes the audio in the associated RDL VCA product. An LED **MUTE** indicator glows red when the output is muted (0 volts dc), and turns green when the output is active (dc output voltage set by control). The rear panel mute terminal is an open collector which is active when the module is muted. The D-RLC10KM features a standard RDL white front panel. The DB-RLC10KM features a black front panel. The DS-RLC10KM is offered in stainless steel with custom lettering available. These finishes match other RDL remote selectors and jack plates for a visually appealing installation of multiple controls.

**D SERIES-RLC10K:** The -RLC10K is the ideal companion to the RDL VCA modules where levels are to be controlled from a single remote location. It is designed to directly interface with the 3-wire control input of an RDL VCA module. A single shielded pair is normally used. The -RLC10K contains a long life 10 kΩ potentiometer for setting the control voltage. The front panel has 10 graphic increments which provide a visual indication of the level setting. The D-RLC10K features a standard RDL white front panel. The DB-RLC10KM features a black front panel. The DS-RLC10K is offered in stainless steel with custom lettering available. These finishes match other RDL remote selectors and jack plates for a visually appealing installation of multiple controls.



## ACCESSORIES

Models D-RLC10KM, DB-RLC10KM, DS-RLC10KM  
Remote Level Control with Muting

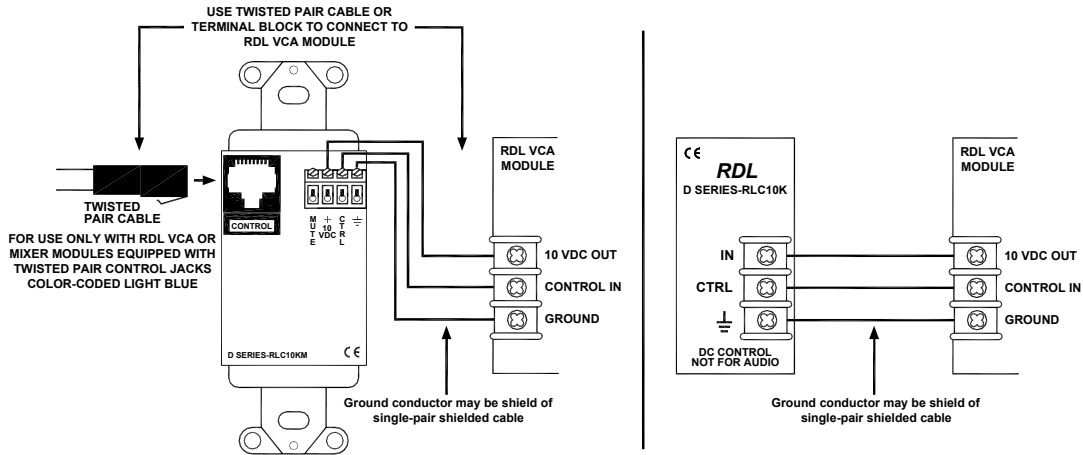
Models D-RLC10K, DB-RLC10K, DS-RLC10K  
Remote Level Control

## Installation/Operation

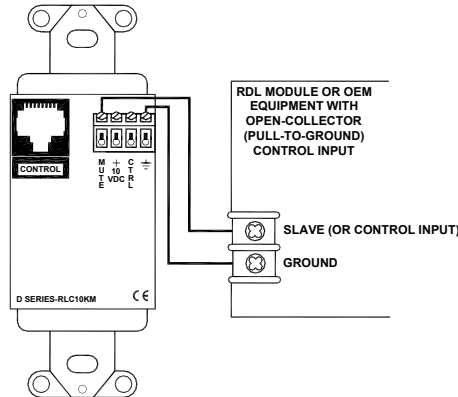


EN55103-1 E1-E5; EN55103-2 E1-E4  
Typical Performance reflects product at publication time  
exclusive of EMC data, if any, supplied with product.  
Specifications are subject to change without notice.

### CONNECTIONS FOR VCA VOLUME CONTROL



### CONNECTIONS TO TRIGGER MODULES/EQUIPMENT WHEN RLC10KM IS MUTED



Note: The **MUTE** output terminal is pulled to ground when the module is set to mute. Connections to this terminal do not affect the proper operation of the VCA control output.

### TYPICAL PERFORMANCE

Resistance: 0 to 10 kΩ, linear

Mute button (-RLC10KM): Momentary

Indicator (-RLC10KM): Red = Muted (dc variable output = 0 volts); Green = Active (dc variable output tracks front panel knob)

**MUTE** Output: 25 mA open-collector

Mounting: Mounts in standard US electrical box; cover plate available separately

Dimensions -RLC10K: Height: 4.1 in. 10.4 cm; Depth: 1.6 in. 4.1 cm (without knob); Depth: 2.2 in. 5.6 cm (with knob); Width: 1.3 in. 3.3 cm

Dimensions -RLC10KM: Height: 4.1 in. 10.4 cm; Depth: 1.44 in. 3.7 cm (without knob); Depth: 2 in. 5 cm (with knob); Width: 1.7 in. 4.33 cm

NOTE: This equipment has been tested and found to comply with the limits for a Class B digital device, pursuant to part 15 of the FCC Rule. These limits are designed to provide reasonable protection against harmful interference in a residential installation. The equipment generates, uses and can radiate radio frequency energy and, if not installed and used in accordance with the instructions, may cause harmful interference to radio communications. However, there is no guarantee that interference will not occur in a particular installation. If this equipment does cause harmful interference to radio or television reception, which can be determined by turning the equipment off and on, the user is encouraged to try to correct the interference by one or more of the following measures:

- Reorient or relocate the receiving antenna
- Increase the separation between the equipment and receiver
- Connect the equipment into an outlet on a circuit different from that which the receiver is connected.
- Consult the dealer or an experienced radio/TV technician for help.