



**RDL**<sup>®</sup>  
Radio Design Labs

SPECIALISTS IN PRACTICAL PRECISION ENGINEERING™



# ACCESSORIES

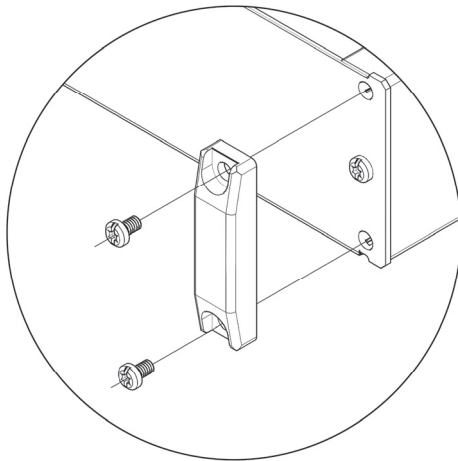
## Model RU-RA3

### 19" Rack Adapter

## Installation/Operation



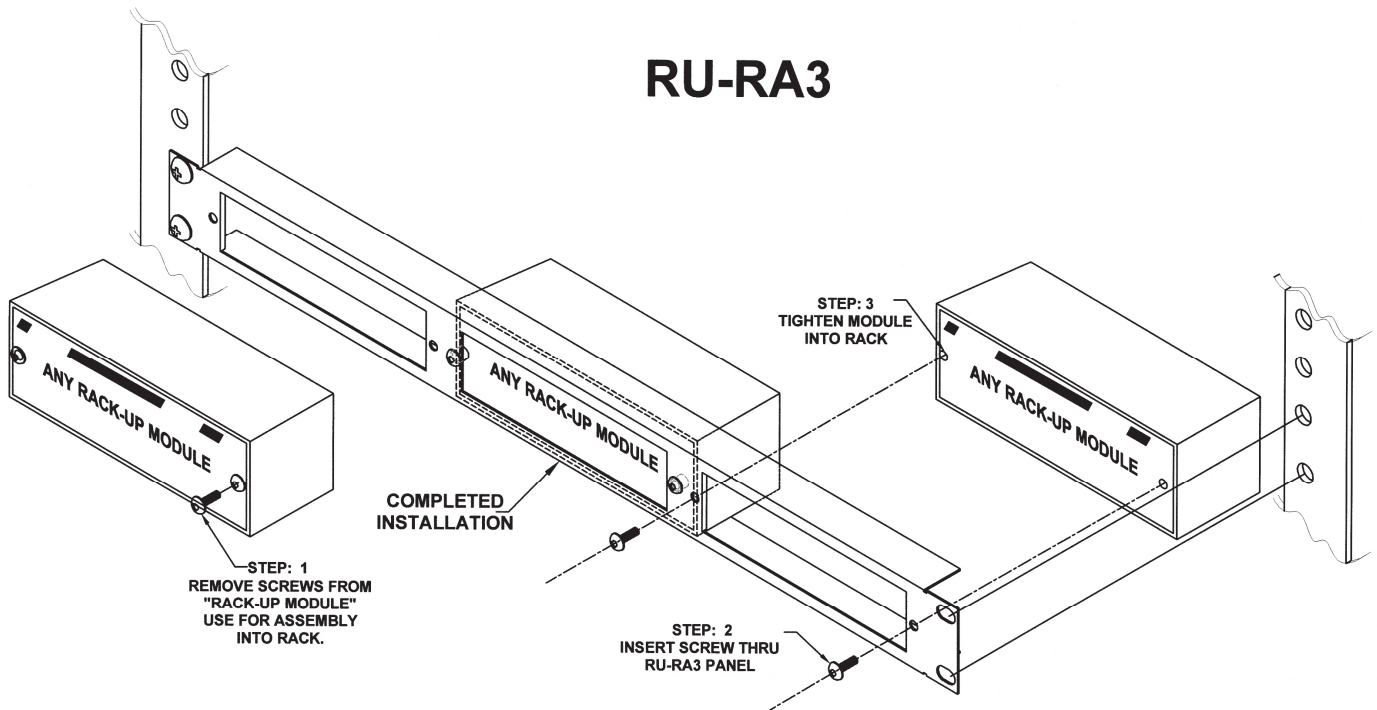
EN55103-1 E1-E5; EN55103-2 E1-E4  
Typical Performance reflects product at publication time exclusive of EMC data, if any, supplied with product. Specifications are subject to change without notice.



**NOTE:** When installing a RACK-UP module that has plastic end caps, remove the end caps and reinstall the two screws.

Continue with STEP: 1

## RU-RA3



Radio Design Labs Technical Support Centers  
U.S.A. (800) 933-1780, (928) 778-3554; Fax: (928) 778-3506  
Europe [NH Amsterdam] (+31) 20-6238 983; Fax: (+31) 20-6225-287