

SourceFlex™ System

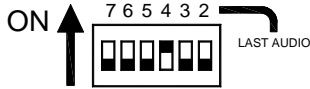
Model SAS-88

Audio Input Interface

Installation/Operation

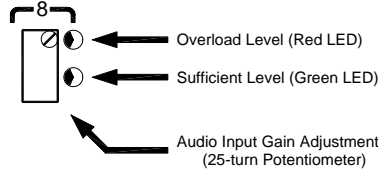


EN55103-1 E1-E5; EN55103-2 E1-E4
Typical Performance reflects product at publication time exclusive of EMC data, if any, supplied with product. Specifications are subject to change without notice.



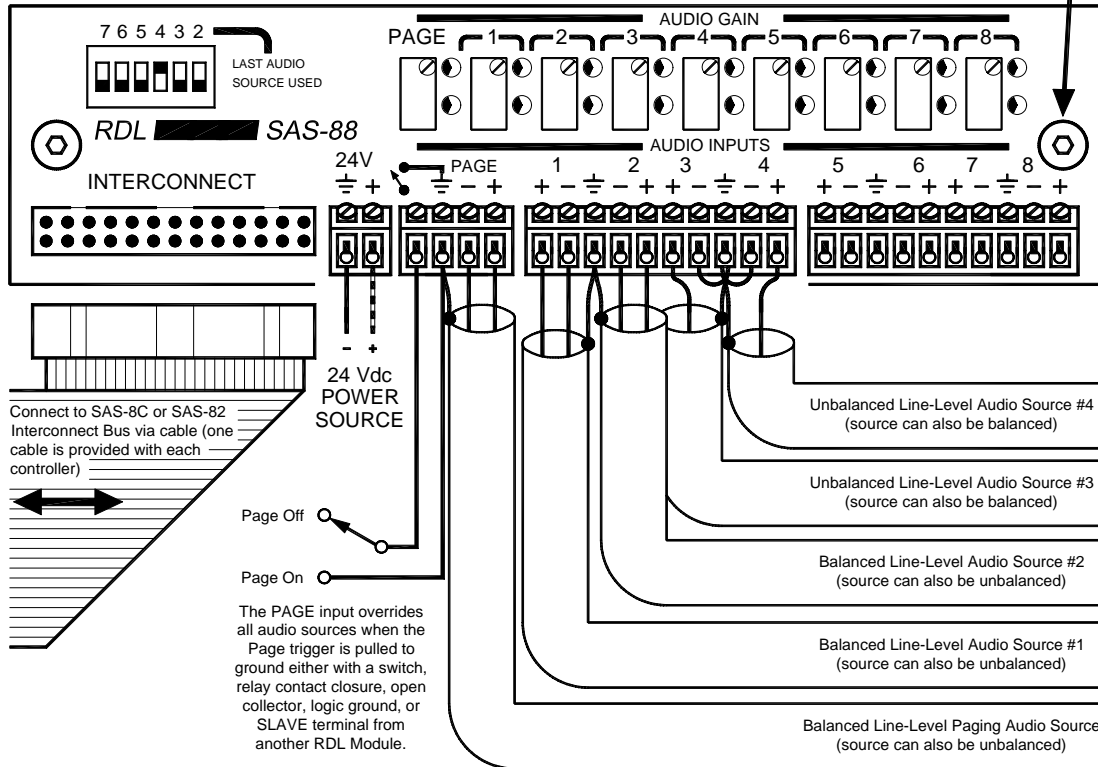
In this example, only four audio sources are used. The dip-switches are set to configure the SAS-88 for however many audio sources are used. The Line-Level Audio Source Inputs **MUST** be used in order. Do not select more than one dip-switch.

- #2 - Select for one or two audio sources
- #3 - Select for three audio sources
- #4 - Select for four audio sources
- #5 - Select for five audio sources
- #6 - Select for six audio sources
- #7 - Select for seven audio sources
- Leave all switches off for eight audio sources



Adjust the input channel's **AUDIO GAIN** until the Green LED is lit as brightly as possible without the Red LED flashing (overload). Turning the individual audio gain adjustment clockwise will increase the gain.

NOTE: Replace the two front screws with the nylon ones (supplied) for CE compliant installations.



TYPICAL PERFORMANCE

Audio Inputs (switched):	8 line-level, 100 kΩ balanced or unbalanced via plug-in terminal block
Audio Input (paging over-ride):	1 line-level, 100 kΩ balanced or unbalanced via plug-in terminal block
Audio Input Level:	-22 dBu to +4 dBu, 25-turn adjustable pot
Control Input:	Paging Terminal - External closure to ground to activate
Front Panel Presets:	DIP switch to set number of inputs used
Metering:	1 Green LED (intensity indicates audio level) 1 Red LED (indicates excessive audio level)

Note:	Correct level setting indicated by maximum Green LED intensity without Red LED flashing
Frequency Response:	50 Hz - 35 kHz +/- 1 dB (Used with SAS-82)
THD+N:	< 0.1% (20 Hz - 20 kHz) @ 1KHz
Output:	24-pin ribbon cable header to drive SAS-8C or 82 input
Power Requirement:	24 Vdc to 33 Vdc @ 100 mA, Ground-referenced
Mounting:	Rack-Up® series mounting, see RU-RA3, RC-1U
Dimensions:	Height: 1.7 in 4.3 cm Length: 5.8 in 15.0 cm Depth: 2.0 in 5.1 cm (case only) 2.5 in 6.4 cm (including block)

Radio Design Labs Technical Support Centers

U.S.A. (800) 933-1780, (928) 778-3554; Fax: (928) 778-3506

Europe [NH Amsterdam] (+31) 20-6238 983; Fax: (+31) 20-6225-287