

Model SF-UN1 USB to Network Interface

- Converts Left and Right USB Audio Channels to two Dante Network Channels
- Supports USB Input Sampling Rates of 32 kHz, 44.1 kHz and 48 kHz
- Selectable Dante Sample Rates: 44.1 kHz, 48 kHz, 88.2 kHz, 96 kHz
- Digital Audio Sources Remain in the Digital Domain through the Dante Network Output
- Special Software Not Required for Module Setup
- LED Indicator for Valid Power and Network Sync
- Operation from PoE Power (Class 0, IEEE 802.3af)
- Equipped for SysFlex™ Rack Mounting or Surface Mounting



The SysFlex series is a family of A/V modules providing complex interface solutions at the click of a connector. SysFlex modules provide connectorized interface between data networks and analog and digital audio devices, networked and conventional amplifiers and other application-specific solutions. In RDL's tradition of versatility, SysFlex modules can be used right where they are needed: Rack-mounted, Surface-mounted, or unmounted. They are light-weight, compact and easy to install with simple, straightforward switch settings and LED indicators. Modules quickly snap into the SysFlex rack mount and each is firmly secured with a single screw. The racking system segregates network and power wiring from the audio and digital audio connectors. For connectorized network audio endpoints and A/V system components that provide unparalleled performance and advanced features without giving up simplicity and ease of installation, SysFlex is the industry's best value.

APPLICATION: The SF-UN1 is a digital audio interface that converts a USB stereo digital audio source to two Dante network audio channels. The SF-UN1 automatically detects a valid USB input. The input is decoded, re-clocked and transmitted to the Dante network. The module provides automatic sample rate conversion from the USB input to the Dante network. Special software is not required to configure the module. The SF-UN1 is a professional grade product for studio quality performance.

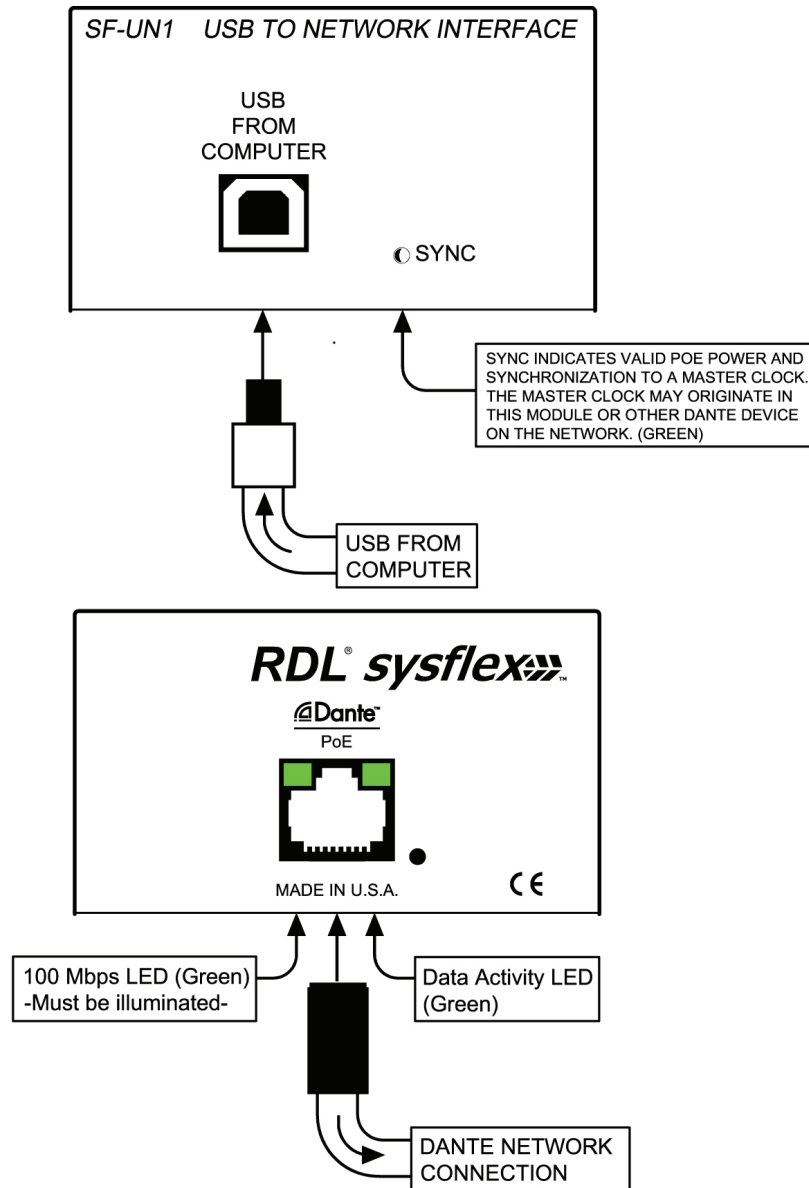
The SF-UN1 is PoE powered. Valid PoE power and synchronization to the Dante network is indicated by a green LED visible from the front of the unit.

The SF-UN1 is constructed in a durable, professional all-metal enclosure suitable for free-standing, surface-mounted or rack-mounted operation. This full-featured SYSFLEX product is engineered and manufactured in the U.S.A for continuous duty in demanding installations. The versatility of SYSFLEX products adds enormous flexibility in the design and installation of professional A/V systems.

Model SF-UN1 USB to Network Interface

Installation/Operation

CE Declaration of Conformity available from rdlnet.com.
Sole EMC specifications provided on product package.
Specifications are subject to change without notice.



TYPICAL PERFORMANCE

Network Connector:	RJ45 with Link and Speed indicators	Ambient Operating Environment:	0° C to 50° C
Digital Audio Ethernet Protocol:	Dante	Power Requirement:	PoE Class 0, IEEE 802.3af
Transmission Rate:	100 Mbps	Dimensions:	2.79" (7.09 cm) W; 1.68" (4.27 cm) H; 5.77" (14.66 cm) D
Input Sample Rates Supported:	44.1 kHz, 48 kHz	Package Type:	Cardboard Box
Output (Dante) Sample Rates Supported:	44.1 kHz, 48 kHz (default), 88.2 kHz, 96 kHz	Package Dimensions:	7 x 4.375 x 2.25 in.
Bit Depth Supported (Dante):	24 bits	Shipping Weight:	1.055 lbs.
Input:	USB (Type B receptacle)	WEEE weight:	0.84 lbs.
Indicators (3):	Ethernet Link and Speed (2, rear panel); Sync (front panel)	Tariff code:	8517.18.0050

Radio Design Labs Technical Support Centers

U.S.A. (800) 933-1780, (928) 778-3554; Fax: (928) 778-3506
Europe [NH Amsterdam] (+31) 20-6238 983; Fax: (+31) 20-6225-287