



## INSTALLATION MANUAL

### EZ-FP1

Filler Panel 1/6 Rack width



RDL EZ Series products provide the highest level of value to A/V professionals and A/V users who demand professional quality. For long-term performance, quality and value, you have made the EZ choice. EZ products are made in the USA by RDL, the inventor of application-specific modules bringing decades of experience as the world's leading manufacturer of high-reliability performance products to the A/V industry. Visit the RDL website for hundreds of professional A/V products made in the USA by RDL.



[www.rdl.net.com](http://www.rdl.net.com)

**Decades of Performance, Quality and Value**

---

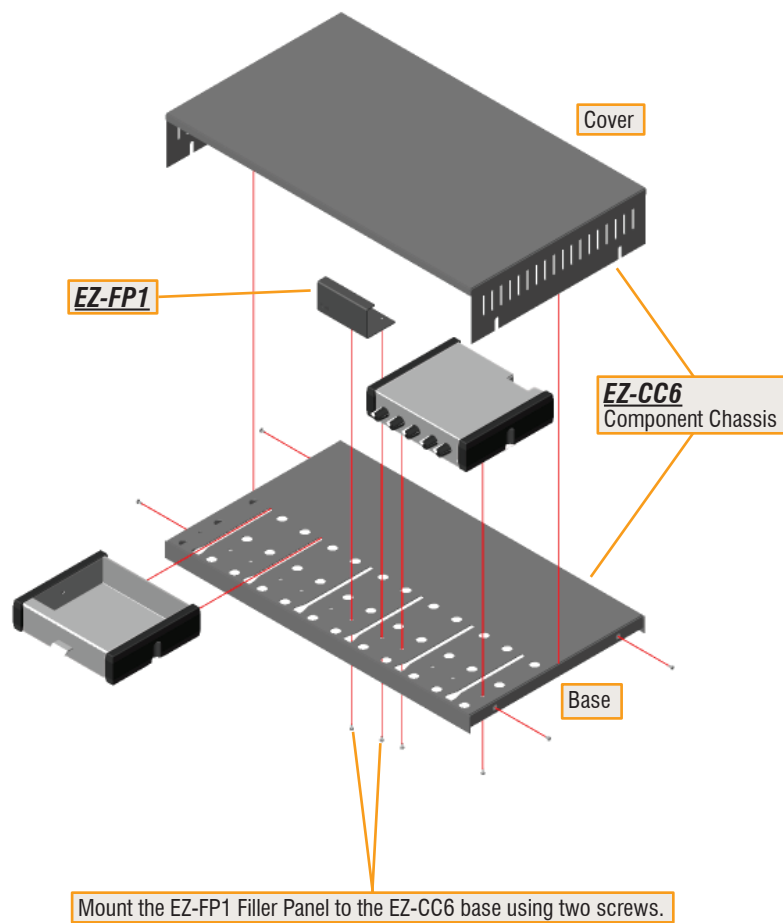
RDL • 659 N. 6th Street • Prescott, AZ • USA 86301 • Sales: 800-281-2683 • 928-443-9391  
Tech Support: 800-933-1780 • 928-778-3554 • RDL Europe Sales & Support: (31) 20-6238-983

# EZ-FP1

## Filler Panel

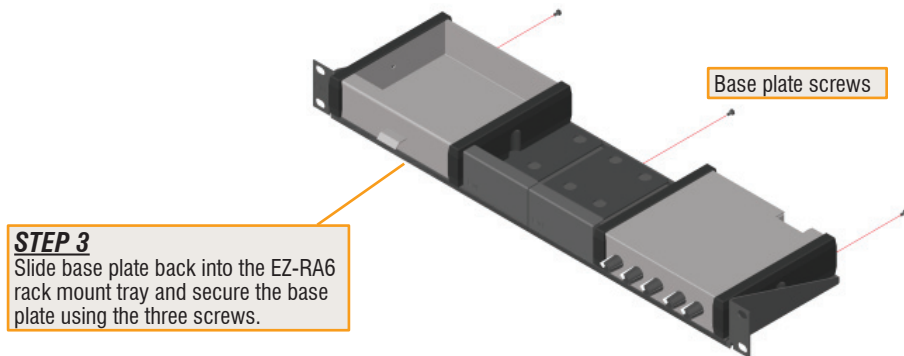
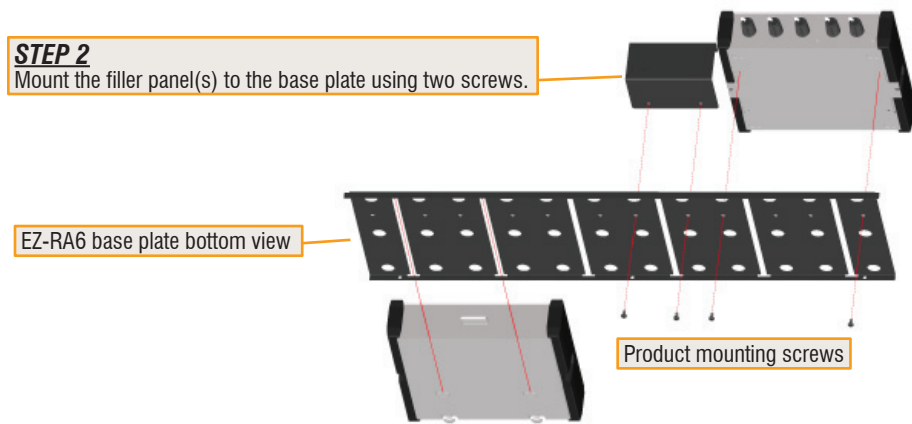
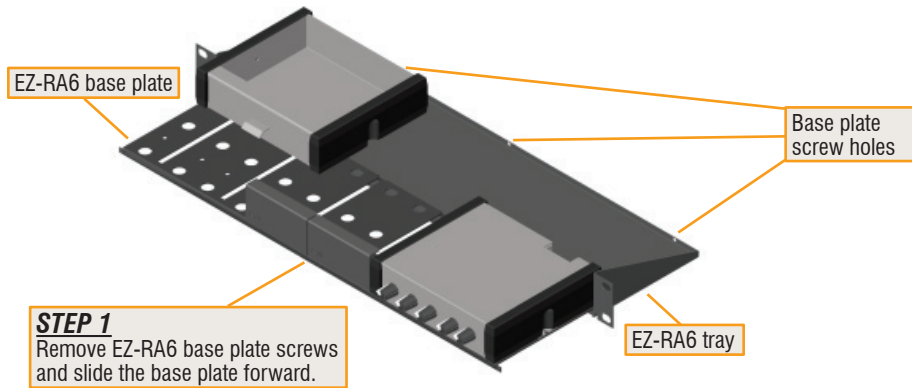
- Mounts in EZ-RA6 and EZ-CC6
- Installs Quickly With Two Screws
- Fills 1/6 Rack Width Space

## INSTALLATION IN EZ-CC6



---

## INSTALLATION IN EZ-RA6



## OTHER SELECTED EZ SERIES MOUNTING ACCESSORIES

### EZ-RA6

Rack Adapter for 6 Increments of 1/6 Rack Width



### EZ-CC6

Component Chassis for 6 Increments of 1/6 Rack Width



### EZ-SMB1

Surface Mount Bezel for 1/6 Rack Width Products



### EZ-SMB2

Surface Mount Bezel for 1/3 Rack Width Products



### EZ-UCB2

Under-Counter Brackets 1/6 or 1/3 Rack Width



### EZ-SD2

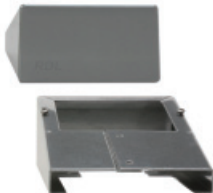
Storage Drawer 1/3 Rack Width



Use EZ-SD1 and EZ-SD2 in Place of Filler Panel(s)  
Drawers Hold Adapters and Cables  
Mount in EZ-CC6 and EZ-RA6

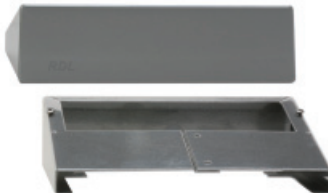
### EZ-DC1

Desktop Chassis 1/6 Rack Width



### EZ-DC2

Desktop Chassis 1/3 Rack Width



### EZ-SD1

Storage Drawer 1/6 Rack Width



Complete accessory listing available at: [rdlez.com](http://rdlez.com)

CE

891-1629

Copyright © 2009 Radio Design Labs, Inc. RDL, Radio Design Labs and the RDL logo are registered trademarks of Radio Design Labs, Inc. Data reflects product at publication time, subject to change without notice. "Made in USA" applies to all EZ products except power supplies.