



INSTALLATION AND OPERATION MANUAL

EZ-HDA6

Stereo Headphone Distribution Amplifier

Model numbers:
EZ-HDA6 includes power supply with North American plug
EZ-HDA6X includes worldwide power supply (specify plug)



RDL EZ Series products provide the highest level of value to A/V professionals and A/V users who demand professional quality. For long-term performance, quality and value, you have made the EZ choice. EZ products are made in the USA by RDL, the inventor of application-specific modules bringing decades of experience as the world's leading manufacturer of high-reliability performance products to the A/V industry. Visit the RDL website for hundreds of professional A/V products made in the USA by RDL.



www.rdlnet.com

Decades of Performance, Quality and Value

RDL • 659 N. 6th Street • Prescott, AZ • USA 86301 • Sales: 800-281-2683 • 928-443-9391
Tech Support: 800-933-1780 • 928-778-3554 • RDL Europe Sales & Support: (31) 20-6238-983

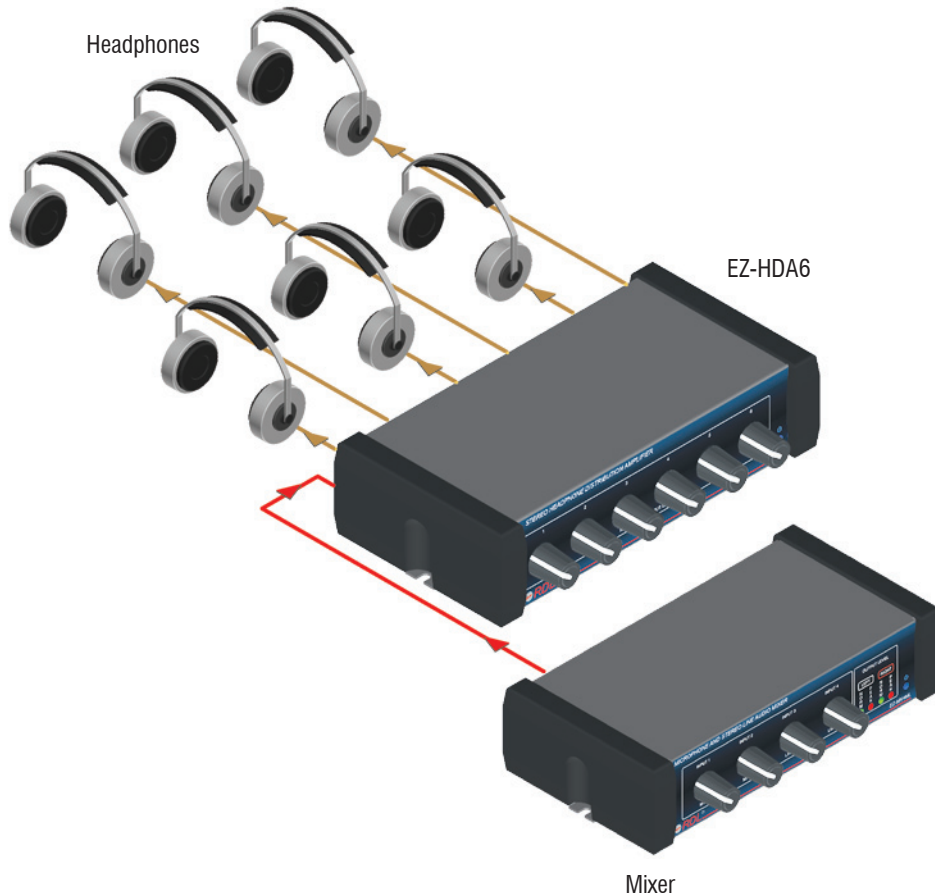
EZ-HDA6

Stereo Headphone Distribution Amplifier

- One Stereo Input to Six Stereo Outputs
- Unbalanced Inputs on Rear Panel
- Input on MINI, 1/4" (6.3 mm) or RCA Jacks
- LOOP OUT Jack for 1/4" (6.3 mm) Input
- 1/4" (6.3 mm) Headphone Outputs on Rear Panel
- Front-Panel LEVEL Control for Each Output

The EZ-HDA6 contains six stereo headphone amplifiers with individual front-panel volume controls. Headphone outputs are provided on rear-panel 1/4" jacks. One input signal feeds all the amplifiers. Stereo RCA jacks, a MINI jack and a dual 1/4" jack (for "loop out" connection) are provided for connecting the input source. The EZ-HDA6 is used in music stores, houses of worship, studios, museums, home component systems and commercial sound systems.

TYPICAL APPLICATION



www.rdl.net.com . . . www.rdlez.com

LEVEL CONTROL 1
Adjust for desired headphone volume on rear-panel OUTPUT 1.

LEVEL CONTROL 2
Adjust for desired headphone volume on rear-panel OUTPUT 2.

LEVEL CONTROL 3
Adjust for desired headphone volume on rear-panel OUTPUT 3.

LEVEL CONTROL 4
Adjust for desired headphone volume on rear-panel OUTPUT 4.

LEVEL CONTROL 5
Adjust for desired headphone volume on rear-panel OUTPUT 5.

LEVEL CONTROL 6
Adjust for desired headphone volume on rear-panel OUTPUT 6.

POWER INDICATOR
Glows blue when the product is connected to a valid power source.



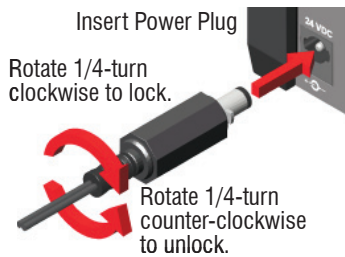
24 VDC POWER INPUT
Insert plug from power supply. Rotate 1/4 turn clockwise to lock.

LINE INPUTS
Connect an unbalanced stereo source to the left and right LINE IN RCA jacks, to the stereo STEREO MINI jack or to the STEREO 1/4" jack. **Connect only one input.**

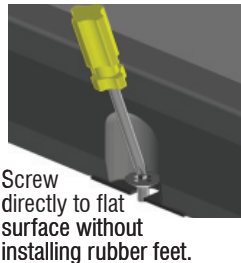
LOOP OUT
Connect the LOOP OUT to the INPUT of another EZ-HDA6 or to the bridging input of other equipment using a stereo 1/4" TRS cable. The LOOP OUT jack is a non-isolated direct connection from the EZ-HDA6 1/4" INPUT jack.

HEADPHONE OUTPUTS
Plug headphones into the numbered 1/4" stereo jack corresponding to a front-panel level control with the same number.

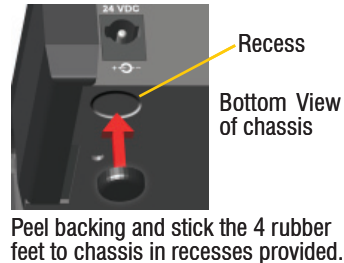
POWER CONNECTION



FIXED MOUNTING



RUBBER FEET ATTACHMENT



SELECTED MOUNTING ACCESSORIES Complete accessory listing available at: rdlez.com

EZ-RA6

Rack Adapter for 6 Increments of 1/6 Rack Width



EZ-CC6

Component Chassis for 6 Increments of 1/6 Rack Width



EZ-SMB2

Surface Mount Bezel for 1/3 Rack Width Products



EZ-DC2

Desktop Chassis 1/3 Rack Width



EZ-UCB2

Under-Counter Brackets 1/6 or 1/3 Rack Width



EZ-SD2

Storage Drawer 1/3 Rack Width

Use In Place of Filler Panel
Holds Adapters and Cables
Mounts in EZ-CC6 and EZ-RA6



TYPICAL PERFORMANCE

Inputs (3): Stereo on dual RCA jacks, stereo mini jack or 1/4" (6.3 mm) TRS, > 10 k Ω , -10 dBV nominal, +8.5 dBV max. (RCA and 1/4"), -16 dBV nominal, +2 dBV max. (Mini)
Stereo input LOOP OUT on 1/4" (6.3 mm) TRS
Level control: Off to +2.5 dB gain (RCA and 1/4" inputs, 100 Ω output load), Off to +9 dB gain (Mini input, 100 Ω output load)
Outputs (7): Stereo on 1/4" (6.3 mm) TRS (6, rear panel), 60 mW (100 Ω load)
Frequency Response: 20 Hz to 50 kHz (\pm 1.5 dB, 100 Ω load)
THD+N: < 0.1% (10 mW output, 100 Ω load)
Crosstalk: < -75 dB (1 kHz)
Noise: < -95 dB (below 10 mW output, 100 Ω load, maximum gain)
24 Vdc power supply current: 50 mA (idle), 80 mA (max.)
Power supply input voltage: 100 to 240 VAC
Warranty: 3 Years; contact RDL technical support department for assistance
Case dimensions: 5.75" (14.6 cm)W x 3" (7.6 cm)D
Mounting size: 1/3 rack width

CE

891-1525

Copyright © 2009 Radio Design Labs, Inc. RDL, Radio Design Labs and the RDL logo are registered trademarks of Radio Design Labs, Inc. Data reflects product at publication time, subject to change without notice. "Made in USA" applies to all EZ products except power supplies.