



**RDL**<sup>®</sup>  
Radio Design Labs

SPECIALISTS IN PRACTICAL PRECISION ENGINEERING™



## ACCESSORIES

### Model AMS-EM1

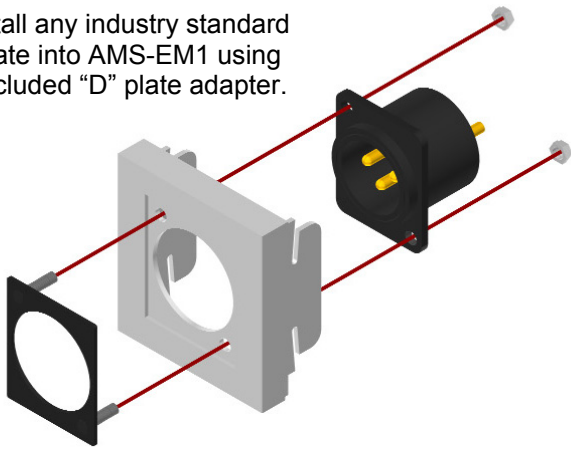
AMS MOUNTING PLATE FOR  
EURO 45MM WALL PLATES

## Installation/Operation

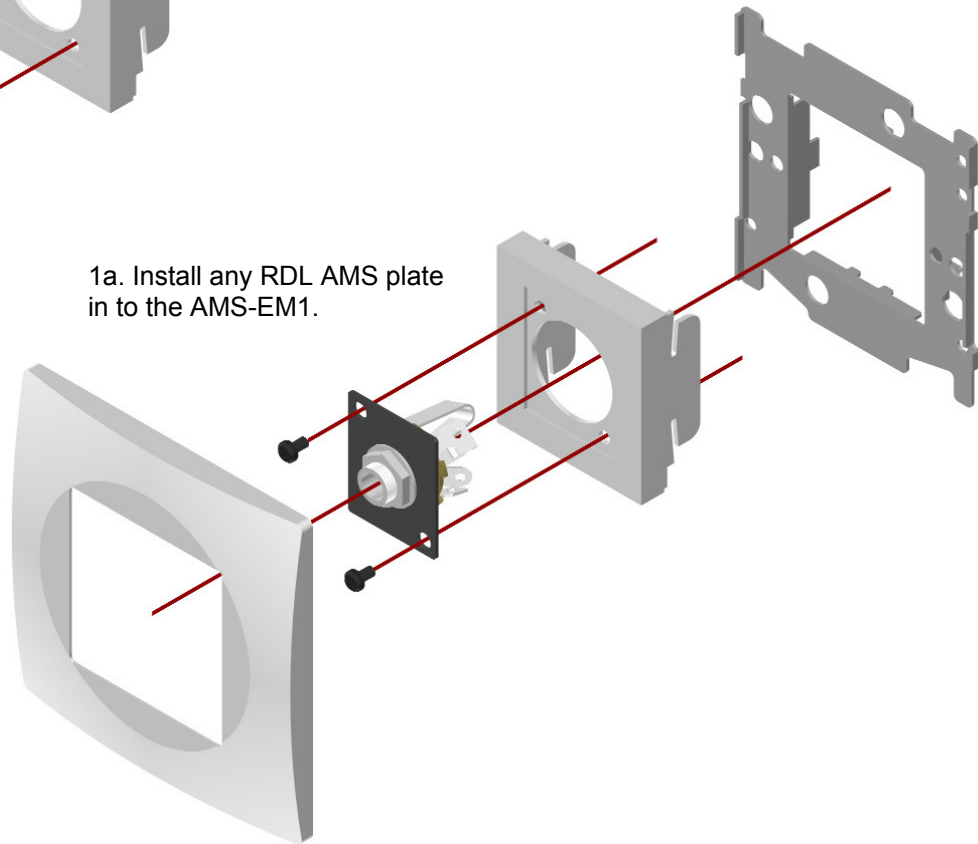


EN55103-1 E1-E5; EN55103-2 E1-E4  
Typical Performance reflects product at publication time  
exclusive of EMC data, if any, supplied with product.  
Specifications are subject to change without notice.

1. Install any industry standard  
"D" plate into AMS-EM1 using  
the included "D" plate adapter.



1a. Install any RDL AMS plate  
in to the AMS-EM1.



Radio Design Labs Technical Support Centers

U.S.A. (800) 933-1780, (928) 778-3554; Fax: (928) 778-3506

Europe [NH Amsterdam] (+31) 20-6238 983; Fax: (+31) 20-6225-287