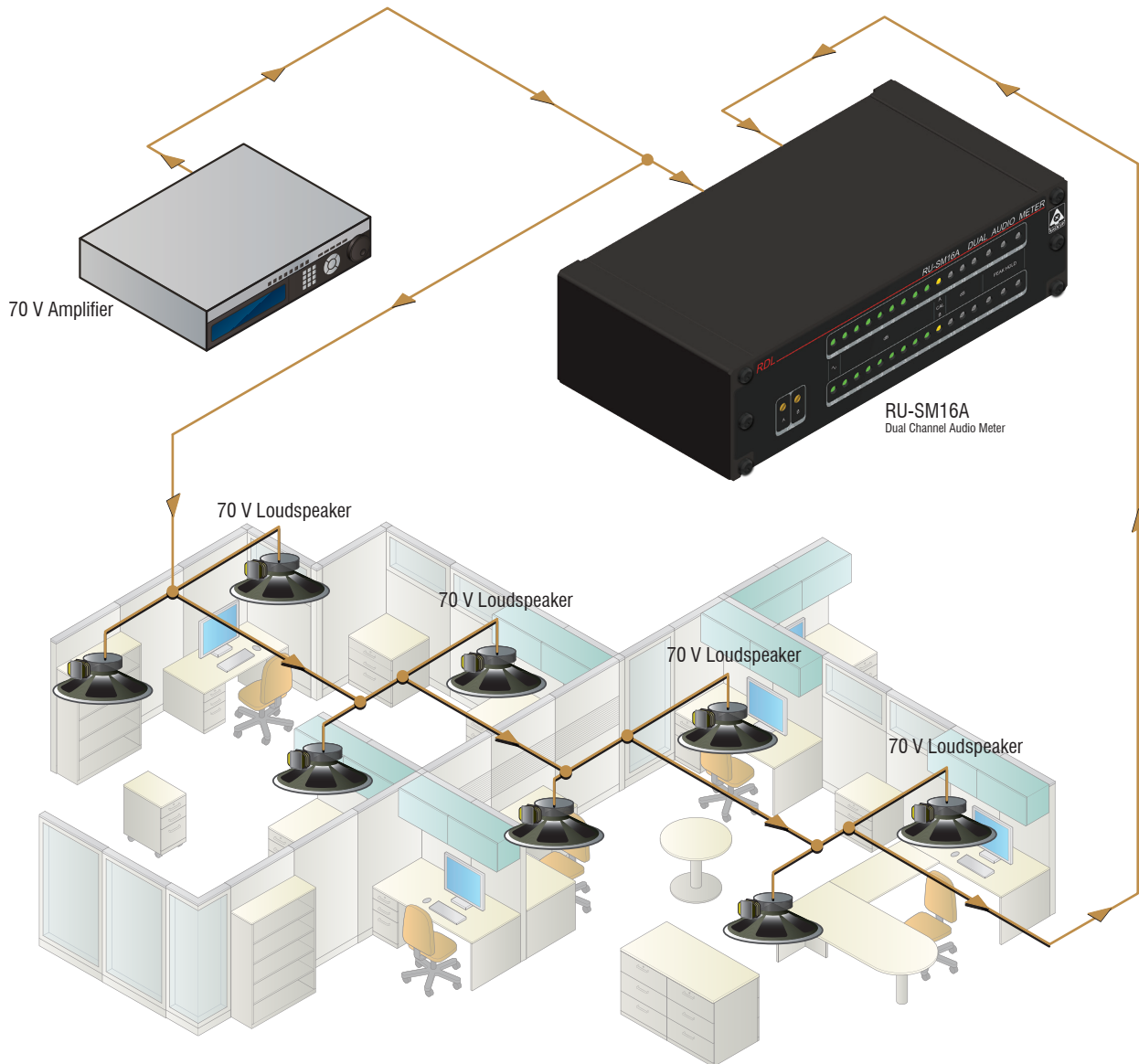


# VISUAL MONITORING OF LOUDSPEAKER CIRCUITS

Real-Time Metering Confirms Loudspeaker Circuit Continuity



### Description:

The RU-SM16A Dual Audio Meter is installed to provide a visual indication of the amplifier output level as well as a verification of the speaker circuit's continuity. One meter string is driven directly by the amplifier output while the second is fed by a return cable connected to the last speaker in the circuit. During proper system operation, both meter displays are identical. Any fault in the system causes the level to drop on the meter connected to the end of the constant voltage speaker circuit.

The RU-SM16A Dual Audio Meter and RU-SM16D Quad Audio Meter provide precision audio level metering of line-level audio as well as constant voltage or low-impedance loudspeaker circuits.

Parts List	
Product	QTY
RU-SM16A	1

Recommended Pwr. Supplies	
Product	QTY
PS-24AS 24 Vdc 500 mA	1

Line Color Key	
Red	Line Level Audio Signal
Orange	Loudspeaker Level
Purple	Control Signal
Yellow	Video
Blue	Mic Level Audio Signal
Green	Ground
Brown	Power
Black	Miscellaneous