

## ACCESSORIES Model AMS-BNC BNC Jack Assembly

- Mounts in D-Style Standard Cutouts
- Mounts in all AMS Mounting Frames
- Mounts in RDL Decora-Style Wall Plates
- Availability of a Wide Variety of Associated AMS Accessories
- Bezel Provides Professional Aesthetic Appearance
- Provides Flexibility for Connections and Controls



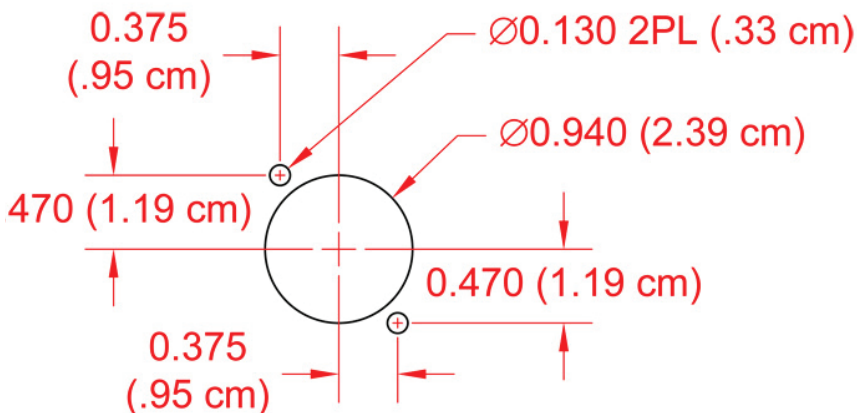
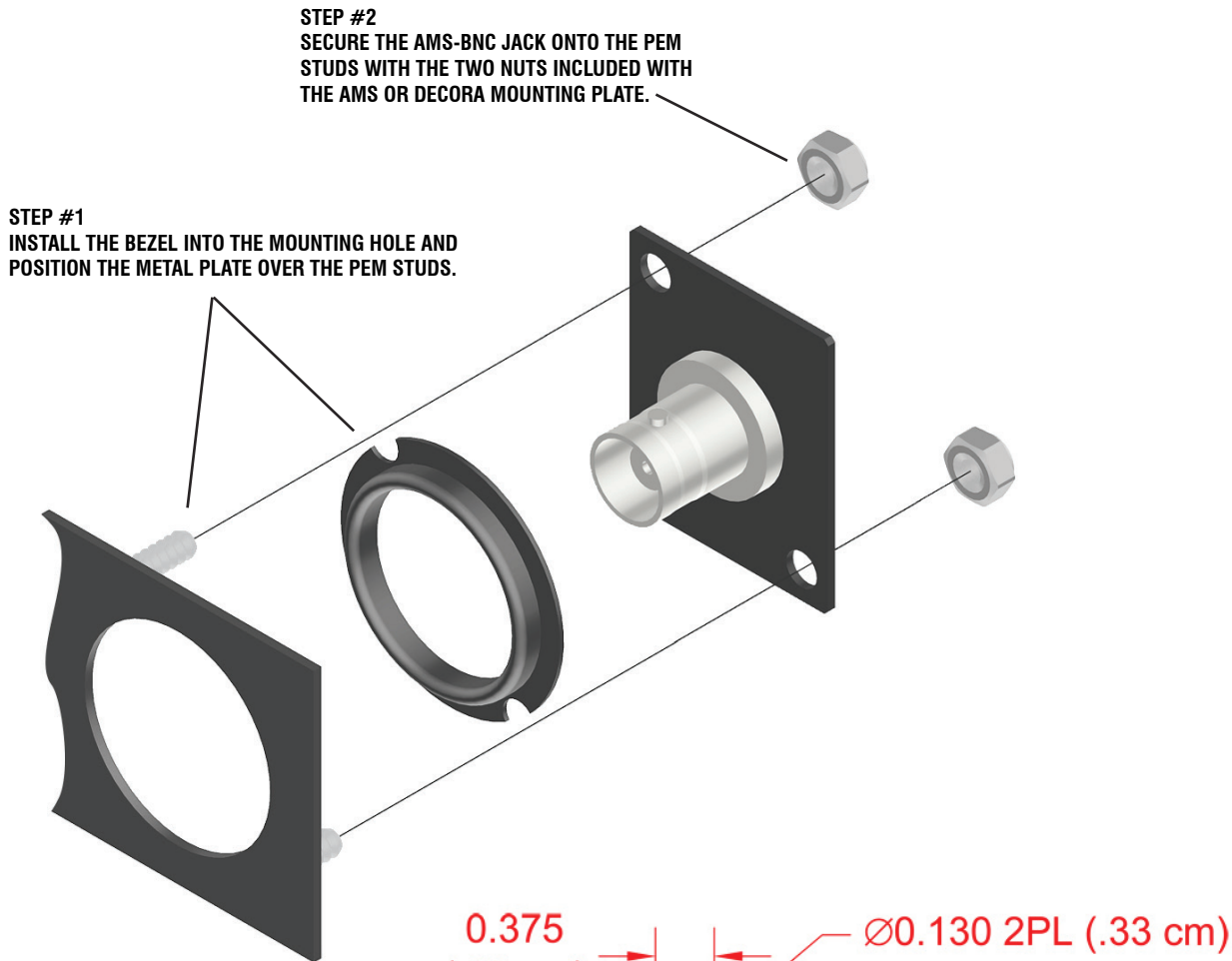
The AMS SYSTEM is a versatile product group from Radio Design Labs. The unique design allows the associated AMS accessories to mount into any standard RDL RACK-UP® or HALF-RACK mounting opening as well as other RDL mounting accessories and enclosures. These optionally available RDL rack mount, wall mount and countertop enclosures make the AMS SYSTEM accessories useful in a wide variety of installations.

**APPLICATION:** The AMS-BNC is an accessory that mounts in AMS mounting frames and in standard D-style cutouts. It features a high quality gold-plated BNC jack with solder terminals. The front plate is constructed of black satin powder coated steel. A black plastic bezel is provided to finish the D-style cutout hole when the accessory is mounted. These accessories are designed to mount behind the front panel of industry products that provide D-style cutouts.

**ACCESSORIES**  
**Model AMS-BNC**  
**BNC Jack Assembly**

**Installation/Operation**

**CE** Declaration of Conformity available from rdlnet.com.  
Sole EMC specifications provided on product package.  
Specifications are subject to change without notice.



Front View  
Standard D-Style Cutout Dimensions

**TYPICAL PERFORMANCE**

Mounting:	AMS mounts; D-Style cutouts
Depth (behind the panel):	0.50 in
Ambient Operating Environment:	-20 to 70 degrees C