

ACCESSORIES

Model PM-20H

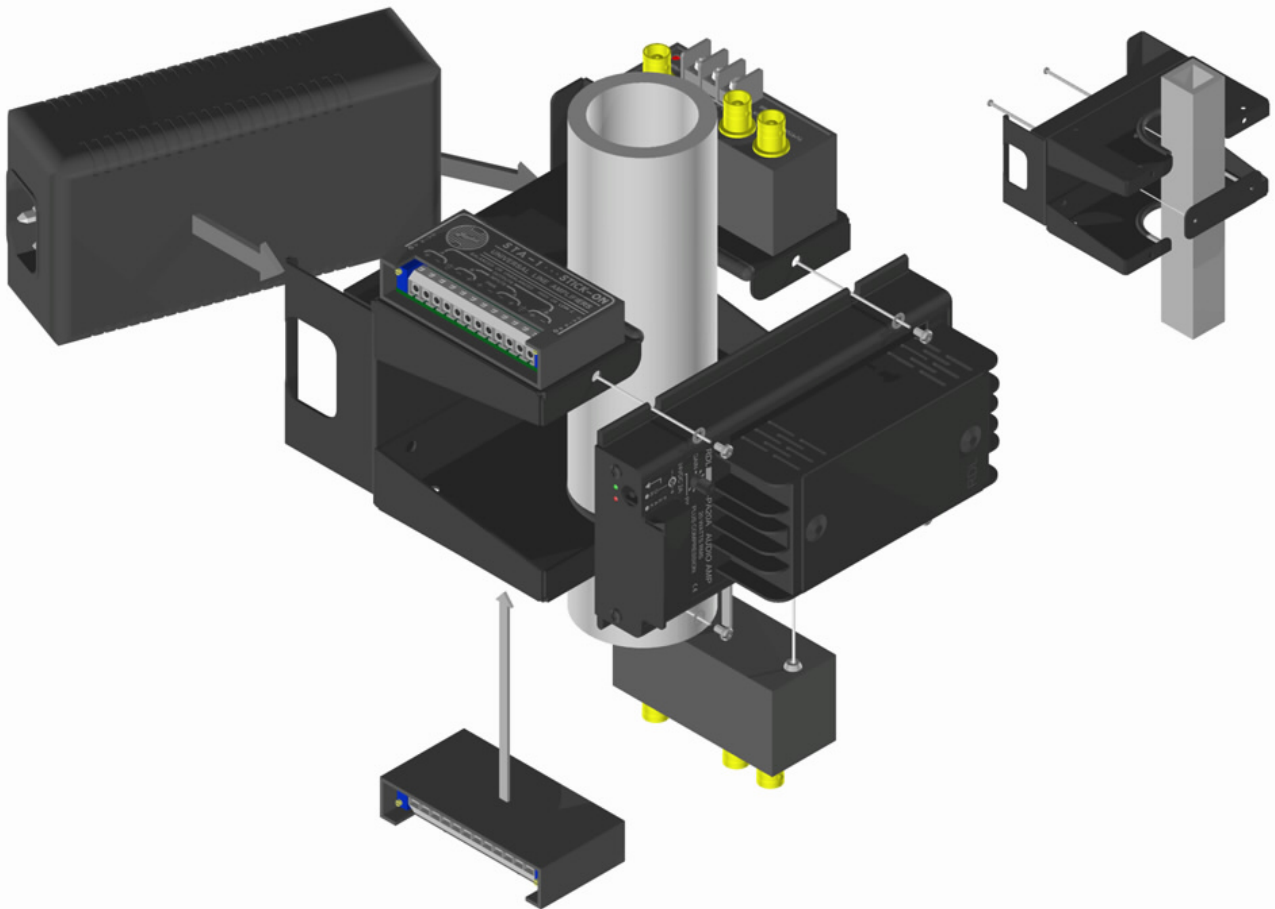
Horizontal Pole Mount for FP-PA20 Models

Installation/Operation



EN55103-1 E1-E5; EN55103-2 E1-E4

Typical Performance reflects product at publication time exclusive of EMC data, if any, supplied with product. Specifications are subject to change without notice.



The PM-20H is designed to mount an RDL FP-PA20 style audio power amplifier and its associated PS-24U2 power supply to a projector pole. This is a horizontal mounting system designed to grip a standard 1-1/2" I.D. pole common to most projector mounts. An included bracket and screw set allows mounting to poles smaller than 1-1/2" and to square or rectangular projector mounts. Adequate vertical pole clearance must be available for mounting the PM-20H. The bracket side plates are intended for the mounting of any RDL STICK-ON® or TX™ series module.

Capacity:	1 PS-24U2 Power Supply, and 1 FP-PA20 style amplifier
Dimensions:	Height: 3.6" (9.14 cm), Depth: 5.06" (12.85 cm), Width: 5.95" (15.11 cm)
Material:	Combination of 18-gauge and 16-gauge steel
Finish:	RDL Black

Radio Design Labs Technical Support Centers

U.S.A. (800) 933-1780, (928) 778-3554; Fax: (928) 778-3506

Europe [NH Amsterdam] (+31) 20-6238 983; Fax: (+31) 20-6225-287