

## ACCESSORIES

### Model RLC3 & RLC3S

### Remote Level Control

#### ANYWHERE YOU NEED...

- Remote Selection of Preset Audio Levels
- Pushbutton Level Selection
- Four Selectable System Levels, or Three Levels + **OFF**
- LED Indication
- Premium Quality Remote Panel
- Professional Aesthetic Appearance

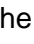
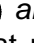
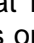

#### *You Need The RLC3!*



The RLC3 is part of the group of versatile accessory products from Radio Design Labs. The RLC3 combines durable construction with high quality components and attractive, professional graphics. It mounts in separately available standard US electrical outlet boxes using standard decorative mounting plates.

**APPLICATION:** The RLC3 is the ideal choice where sound levels are to be controlled from a single remote location, and where predetermined preset levels are desired.

The RLC3 is designed to directly interface with RDL control modules which feature a 0 to 10 Vdc control input utilizing an external 10 k $\Omega$  resistive control, such as the ST-VCA2, RU-VCA2 and RU-VCA2D voltage controlled amplifiers. The RLC3 has four momentary pushbuttons, each corresponding to one of four levels selected. The LEDs next to each pushbutton indicate which level is presently selected.

In a typical installation, the RLC3 is wired to an RDL VCA. The RLC3 runs from the same power supply as the VCA. When power is applied, the RLC3 defaults to the **NORM** level.  One higher level, **HIGH**,  and two lower levels, **LOW**  and **MIN**,  are then available for selection. When the RLC3 is set to the **HIGH** position, the VCA is at maximum gain. The **NORM**, **LOW**, and **MIN** levels are each adjustable by the installer using trimpots on each side of the RLC3 body. Once installed, the adjustments are concealed from the user.

The RLC3 is the ideal choice in stores, meeting rooms and facilities where continuous user control of levels is not permitted or desired. The system designer can decide how much overall boost or cut should be available. The **MIN** level may be set to full attenuation, allowing the system level to be stepped the prescribed amount above normal, below normal, or off. As supplied from RDL, **HIGH** is nominally 4 dB above **NORM**, **LOW** is 4 dB below **NORM**, and **MIN** is set to off.

All the RLC3 features combine to make it the ideal choice for remote level control in high quality systems. Use the RLC3 individually with an RDL control module, or combine it side-by-side with other RDL remote accessories as part of a complete audio/video system.

# ACCESSORIES

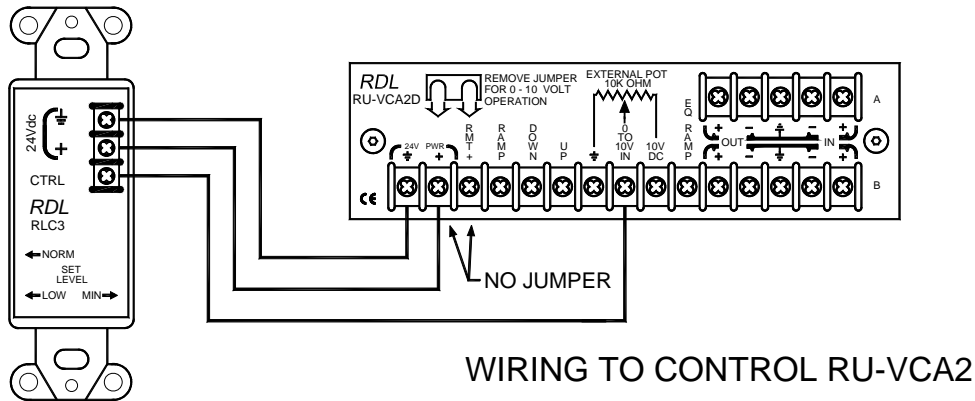
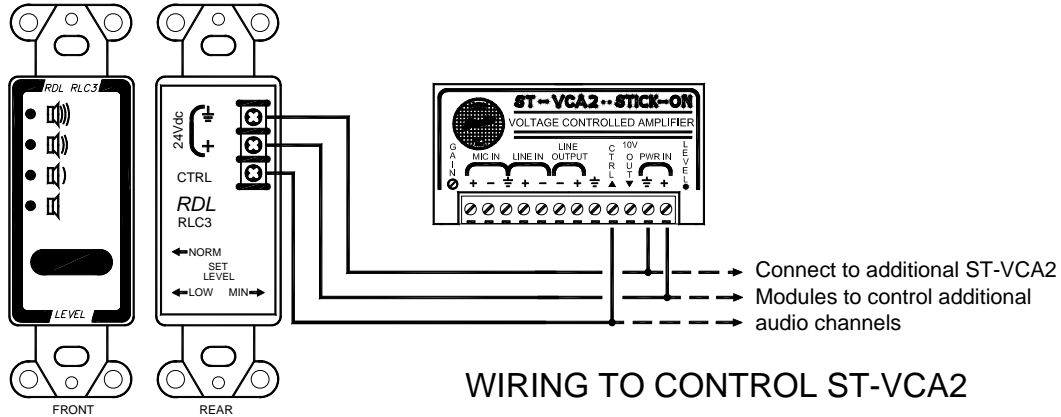
## Model RLC3 & RLC3S

### Remote Level Control

## Installation/Operation



EN55103-1 E1-E5; EN55103-2 E1-E4  
Typical Performance reflects product at publication time exclusive of EMC data, if any, supplied with product. Specifications are subject to change without notice.



### TYPICAL PERFORMANCE

Interface:

Direct connection with RDL modules using 0 to 10 Vdc;  
10 kΩ resistive control (see ST-VCA2)

Output:

Selectable resistance (**CTRL** Terminal ) to ground in four steps:

RLC3 OUTPUT	COL	ROW	RDL VCA GAIN
<b>HIGH:</b>	10 kΩ		0 dB
<b>NORM:</b>	Adjustable	-3 dB	to -30 dB
<b>LOW:</b>	Adjustable	-5 dB	to -40 dB
<b>MIN:</b>	Adjustable	-10 dB	to OFF

Mounting:

Mounts in standard US electrical outlet box;  
decorative plate available separately.

Power Requirements:

24 Vdc @ 30 mA, Ground-referenced

Dimensions:

Height: 4.1 in. 10.4 cm  
Depth: 1.6 in. 4.1 cm  
Width: 1.3 in. 3.3 cm