



**RDL**<sup>®</sup>  
Radio Design Labs

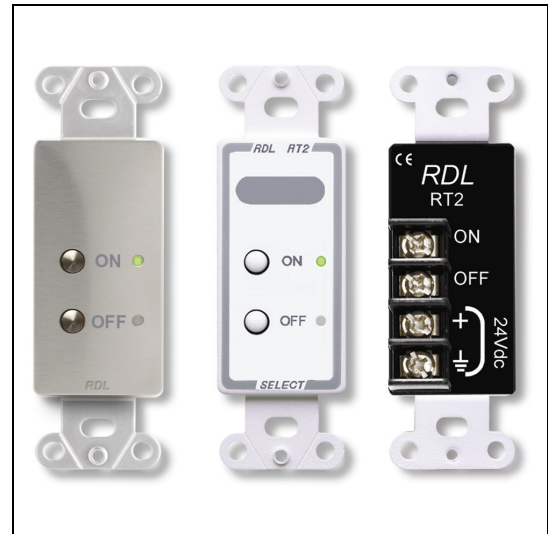
SPECIALISTS IN PRACTICAL PRECISION ENGINEERING™

## ACCESSORIES

### Model RT2 & RT2S Remote Control Selector

#### ANYWHERE YOU NEED...

- Remote Selection of **ON** or **OFF**
- Single-Button Selection for Each Function
- Open-Collector Switching
- 3-wire or 4-wire Remote Wiring
- Professional Aesthetic Appearance
- Companion to other RDL Remote Controls



**APPLICATION:** The RT2 is part of the RDL accessories group and is designed as a functional and visual complement to many other RDL remote controls such as the RLC2, RLC3 or RLC10K Remote Level Controls.

The RT2 is a wall-box mounted remote module designed to directly control equipment which utilizes pull-to-ground switching.

The front panel of the RT2 features two pushbuttons with two associated LEDs. Upon initial power-up, the **OFF** mode is selected. Touching the other button de-selects **OFF** and immediately selects **ON**. An LED adjacent to each button shows which mode is selected.

In a typical installation, the RT2 may be used to turn an audio or video source on or off. To turn on an audio source, the RT2 may be connected to an RDL ST-SSR1 or ST-RX2 Solid-State Audio Switch. For video switching, an RDL TX-MVX may be used. In each of the above examples, only one output terminal is needed for triggering, therefore a single shielded pair (3-conductor cable) is required for remote connection. For more complex switching networks, both outputs (**ON** and **OFF**) may be used. In an audio or video control installation, the RT2 may be mounted adjacent to an RDL remote volume control, such as the RLC2, RLC3 or RLC10K.

In an installation where a wall-mounted remote control is needed to power up a system or subsystem, the RT2 may be connected to the control terminal of the RU-SQ6A Power-Up Sequencer. Other RDL modules using open-collector input switching may be connected to the RT2, such as the STM-2X. In this case, the RT2 provides a remote off/on switching of a mic.

The RT2 is constructed on a durable polycarbonate-faced, powder-coated steel panel. Electronics are housed in a solid enclosure featuring a full-sized barrier block for easy wiring. The attractive front-panel graphics and quality construction make the RT2 the ideal choice in any high quality and economical wall-mounted remote control installation.

In installations where ULTRASTYLE™ wall controls are preferred, use the RUC-4 Universal Remote.

# ACCESSORIES

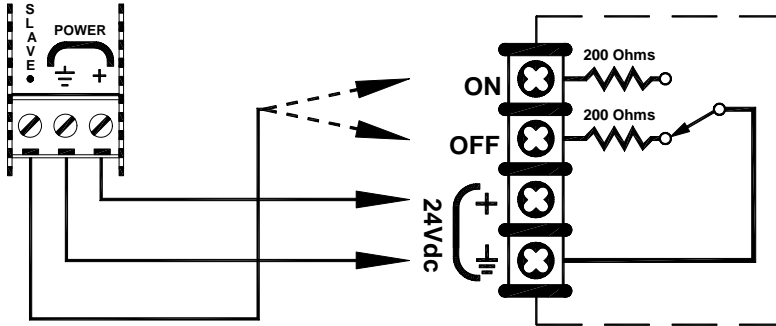
## Model RT2 Remote Control Selector

## Installation/Operation



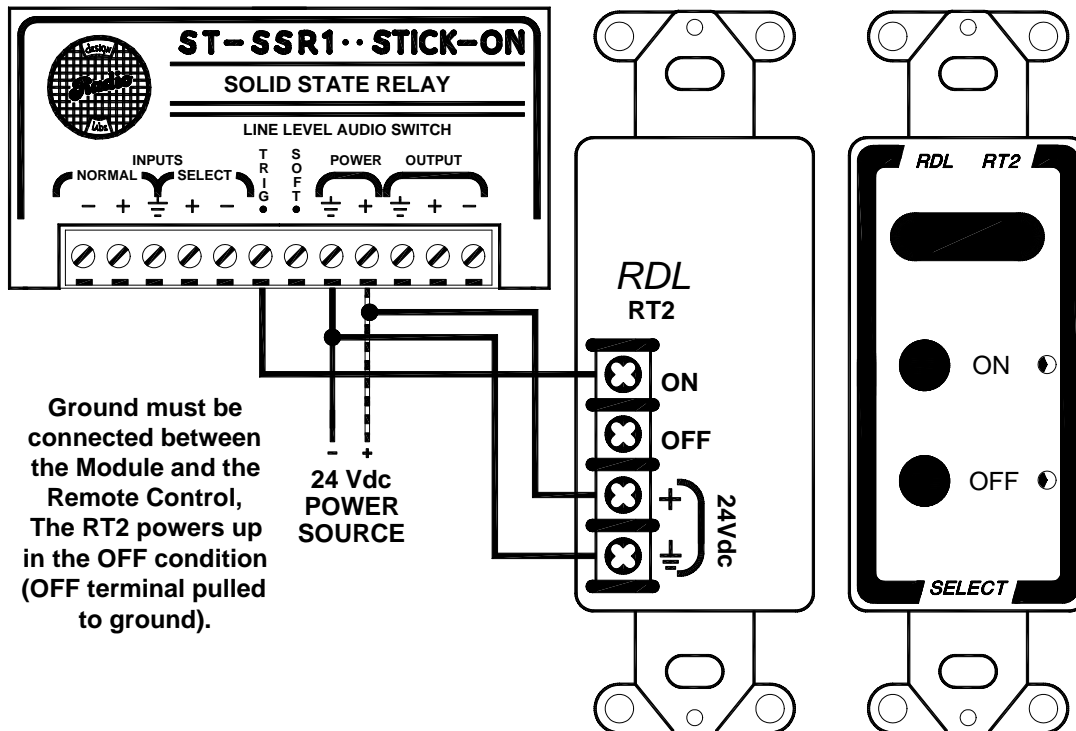
EN55103-1 E1-E5; EN55103-2 E1-E4  
Typical Performance reflects product at publication time exclusive of EMC data, if any, supplied with product. Specifications are subject to change without notice.

The RT2 can control any RDL Module that has a SLAVE terminal, or any Device with a Pull-to-Ground Terminal



Functional Equivalent to Internal Solid State Switching Circuit

### Typical Connection Example



### TYPICAL PERFORMANCE

Selectors:

Indicators:

Connections:

Mounting:

Dimensions:

Power Requirement:

2 Momentary Pushbuttons, 1 for ON, 1 for OFF

2 LEDs, Indicates status ON or OFF

Power input; Separate Open-collector outputs for ON and OFF (25 mA)

Mounts in US standard electrical box, decorative plate available separately

Height: 4 in. (10.4 cm); Depth: 1.6 in. (4.1 cm); Width: 1.3 in. (3.3 cm)

24 to 33 Vdc @ 30 mA, Ground-referenced

Radio Design Labs Technical Support Centers

U.S.A. (800) 933-1780, (928) 778-3554; Fax: (928) 778-3506

Europe [NH Amsterdam] (+31) 20-6238 983; Fax: (+31) 20-6225-287