

ACCESSORIES

Models **D-BZR**

Audio Alert Module

- Audible Alert of A Remote Condition
- An LED Alarm Indicator
- A Front-Panel Reset Button
- Remote Reset Provision
- Momentary or Latching Operation
- Selectable Audio Level



The D-BZR is an audible alert module. The D-BZR may be mounted in a wall-box enclosure for use in walls or cabinets.

APPLICATION: The D-BZR is the ideal choice in installations requiring an audible alert.

Rear-panel terminals permit connection of a *trip* signal, a remote reset button, external power supply, and a jumper to set the audible alert level. The D-BZR is activated when the **TRIP** input is momentarily connected to ground. The BZR then sounds the alert and remains in the alert mode until reset by either the front-panel **RESET** button, or by a remote reset button. Normally, the D-BZR latches in the alert mode. Alternately, the D-BZR may be configured to sound the alert *only* while the **TRIP** terminal is grounded. This may be accomplished by installing a jumper from the remote **RESET** to ground. For use in confined areas, the standard alert may be too loud. The level may be reduced by removing a jumper provided on the rear-panel terminal block.

A front-panel LED lights when the module is in the alert mode. If several D-BZR's are installed at a common location, this visual indication shows the operator which unit is tripped.

The D-BZR power supply input accepts 24 Volts *ac* or *dc*. The D-BZR is a negative ground-referenced product. In the unlikely event it is connected on a common 24 Vac supply together with equipment which is positive ground-referenced *and* not transformer isolated, a ground fault may occur. The D-BZR automatically detects such a fault and disconnects itself from the power input.

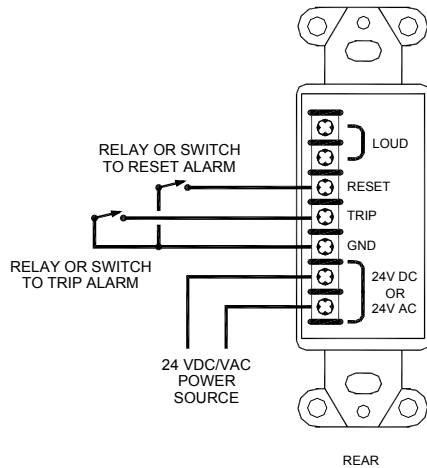
ACCESSORIES
Model D-BZR
Audio Alert Module

Installation/Operation

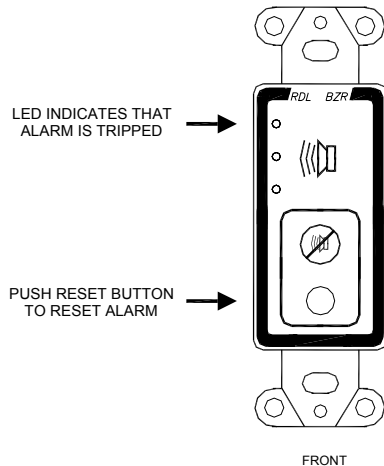
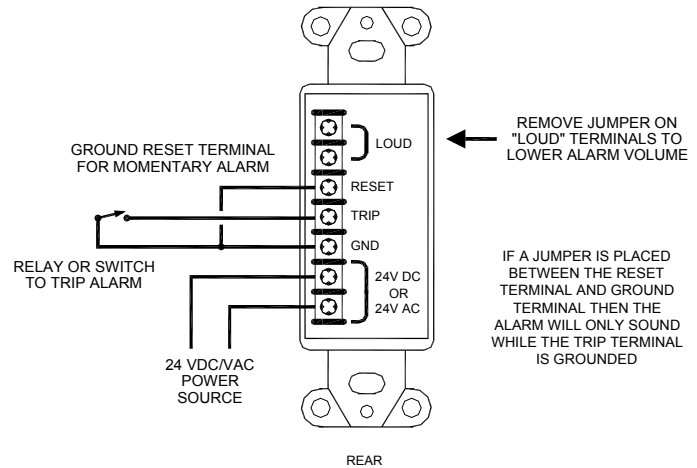


EN55103-1 E1-E5; EN55103-2 E1-E4
Typical Performance reflects product at publication time exclusive of EMC data, if any, supplied with product. Specifications are subject to change without notice.

LATCHING OPERATION



MOMENTARY OPERATION



TYPICAL PERFORMANCE

Control Inputs: **TRIP** and **RESET** (ground to activate)
Audible Alert: Approx. 4 kHz 85 dBspl @ 10cm (loud), or 75 dBspl @ 10cm (soft)
Power Requirement: 24 Vdc or ac @ 10 mA, Ground-referenced D-BZR
Dimensions: Height: 4.1 in. 10.4 cm Depth: 1.6 in. 4.1 cm Width: 1.3 in. 3.3 cm