



ACCESSORIES

DC-F

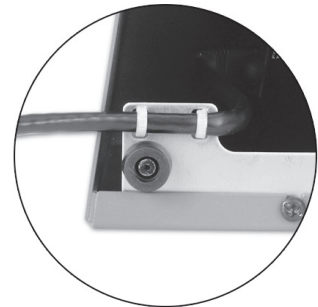
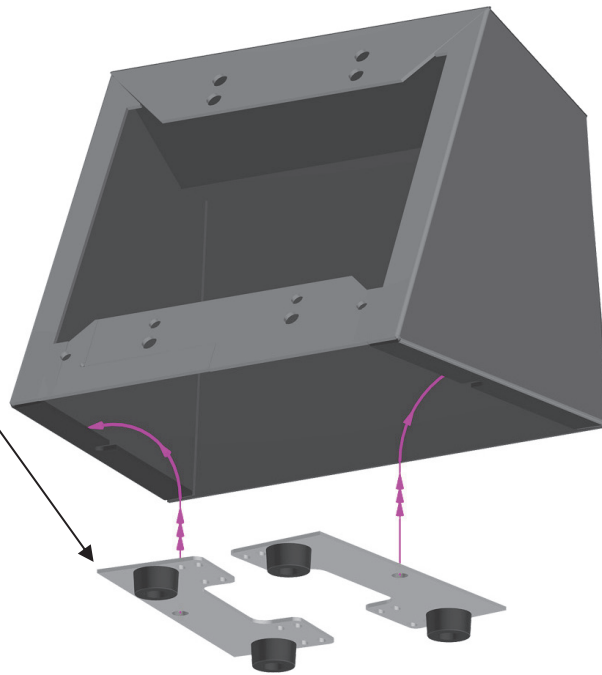
Desk Top Chassis Foot Kit

Installation/Operation



EN55103-1 E1-E5; EN55103-2 E1-E4
Typical Performance reflects product at publication time
exclusive of EMC data, if any, supplied with product.
Specifications are subject to change without notice.

Step 1
Place the two brackets
on the inside of the
bottom flange.



NOTE:
The small holes in the
brackets can be used to
secure wires with a small
wire tie.

Step 2
Secure the brackets to
the flange with the
screws.

