



RDL[®]
Radio Design Labs

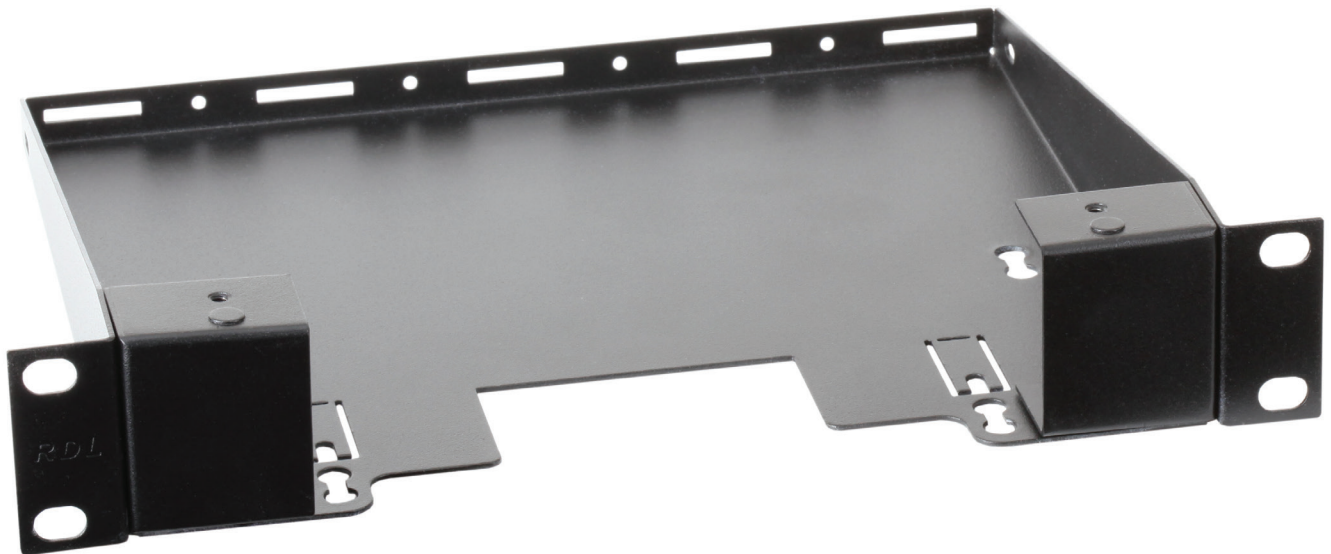
SPECIALISTS IN PRACTICAL PRECISION ENGINEERING™

ACCESSORIES

Model RU-HRA1

10.4" Rack Mount for RACK-UP Series Products

The RU-HRA1 rack mounts 1 RACK-UP module or mounting frame for AMS accessories. This adapter fits 10.4" racks.



ACCESSORIES

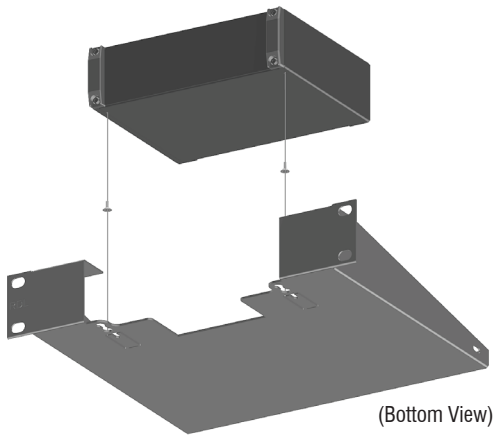
Model RU-HRA1

10.4" Rack Mount for RACK-UP Series Products

Installation/Operation

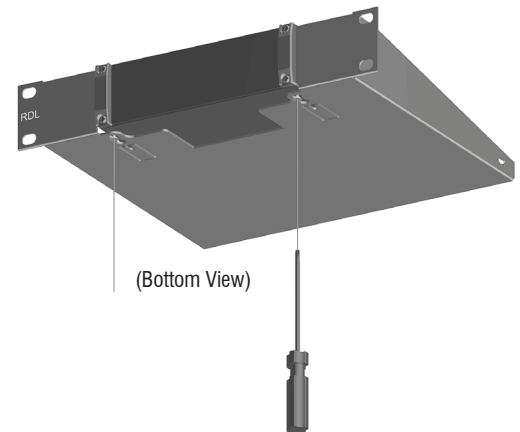


EN55103-1 E1-E5; EN55103-2 E1-E4
Typical Performance reflects product at publication time exclusive of EMC data, if any, supplied with product. Specifications are subject to change without notice.



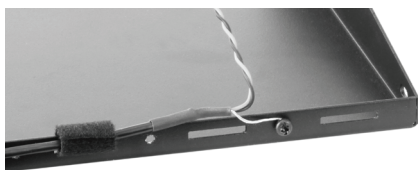
STEP #1

Start the screws into the bottom of the RACK-UP but do not install them all the way. Place the RACK-UP onto the chassis. The screw heads will pass through the rear position in the cutouts.

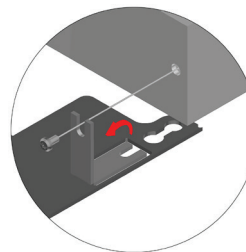


STEP #2

Slide the RACK-UP forward until the screws are seated in the forward position of the cutout. Tighten the screws to secure the unit in the chassis.



If desired use the rectangular cut outs in the chassis to secure wiring with hook and loop fastener or wire-ties. The smaller holes can be used for ground wire attachment.



NOTE: When installing a RACK UP product that is in a plastic box start by removing the screws from the back of the RACK UP. Bend the tabs on the mounting unit up at a 90° angle. Secure the unit to the mounting chassis using the screws.