



RDL[®]
Radio Design Labs

SPECIALISTS IN PRACTICAL PRECISION ENGINEERING™



ACCESSORIES

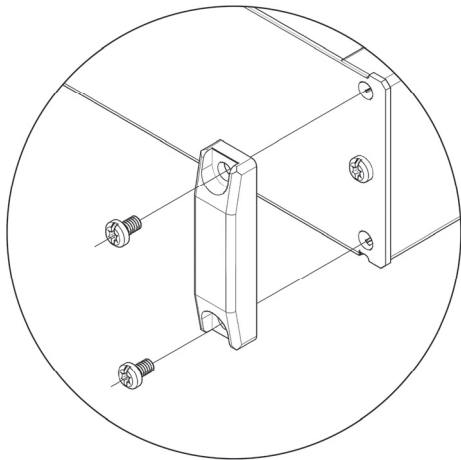
Model RU-RA3HD

19" Rack Adapter

Installation/Operation



EN55103-1 E1-E5; EN55103-2 E1-E4
Typical Performance reflects product at publication time exclusive of EMC data, if any, supplied with product. Specifications are subject to change without notice.



NOTE: When installing a RACK-UP module that has plastic end caps, remove the end caps and reinstall the two screws.

Continue with STEP: 1

RU-RA3HD

