



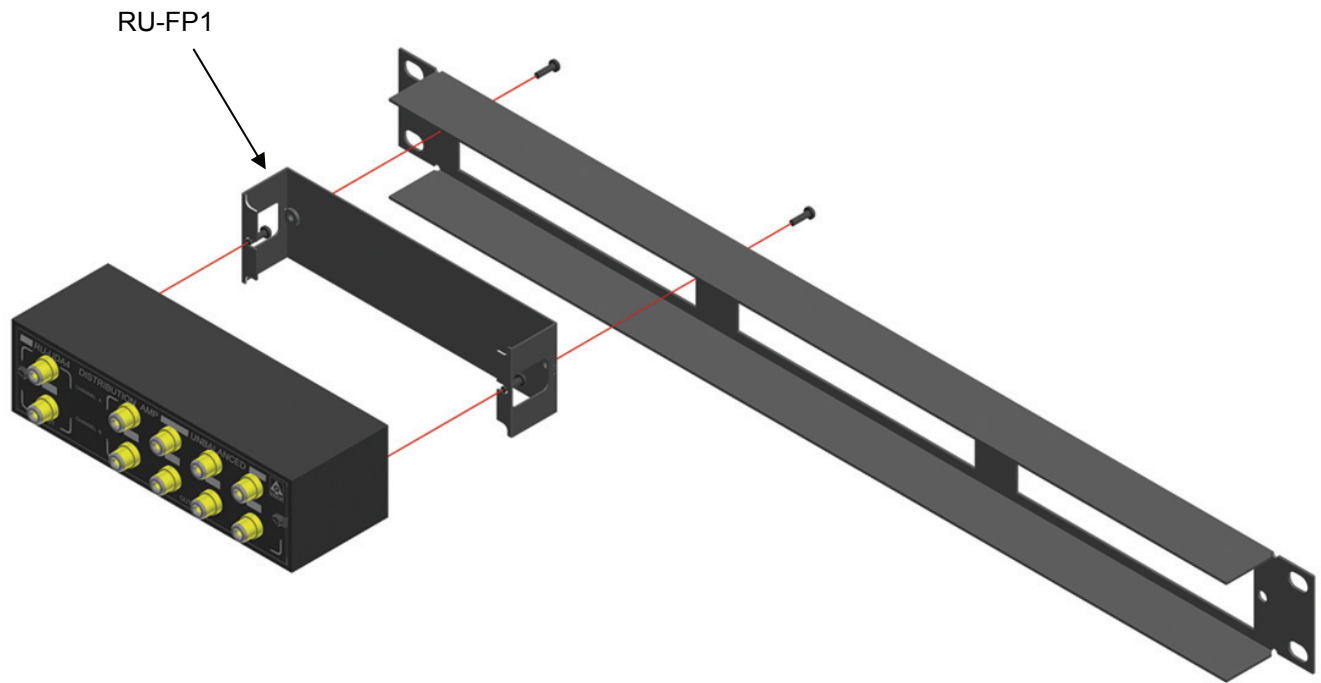
RDL[®]
Radio Design Labs

SPECIALISTS IN PRACTICAL PRECISION ENGINEERING™

ACCESSORIES

Model RU-FP1

RACK-UP[®] Filler Panel (and Reverse Mounting Kit)



The RU-FP1 fills unused openings in an RU-RA3, RU-RA3A, RU-RA3HD or RC-1U, or reverse-mounts RACK-UP modules in an RU-RA3, RU-RA3A, or RU-RA3HD.

Radio Design Labs Technical Support Centers
U.S.A. (800) 933-1780, (928) 778-3554; Fax: (928) 778-3506
Europe [NH Amsterdam] (+31) 20-6238 983; Fax: (+31) 20-6225-287

RDL • 659 N. 6th St. • Prescott, AZ., USA 86301 • (928) 443-9391 • FAX (928) 443-9392 • www.rdl.net.com