



INSTALLATION MANUAL

EZ-RA6

Rack Adapter for 6 Increments of 1/6 Rack Width



RDL EZ Series products provide the highest level of value to A/V professionals and A/V users who demand professional quality. For long-term performance, quality and value, you have made the EZ choice. EZ products are made in the USA by RDL, the inventor of application-specific modules bringing decades of experience as the world's leading manufacturer of high-reliability performance products to the A/V industry. Visit the RDL website for hundreds of professional A/V products made in the USA by RDL.



www.rdl.net.com

Decades of Performance, Quality and Value

RDL • 659 N. 6th Street • Prescott, AZ • USA 86301 • Sales: 800-281-2683 • 928-443-9391
Tech Support: 800-933-1780 • 928-778-3554 • RDL Europe Sales & Support: (31) 20-6238-983

EZ-RA6

Rack Adapter

- Mounts All EZ A/V Products
- Mounts EZ Storage Drawers
- Base Plate Slides Out for Easy Product Mounting
- Occupies One RU in Standard 19" Rack

EZ-RA6 BASE PLATE ASSEMBLY

EZ-RA6 with Base Plate Installed



EZ-RA6 with Base Plate Forward

With the base plate screws removed from the rear of the EZ-RA6 tray, the base plate slides forward to facilitate installation of EZ products.

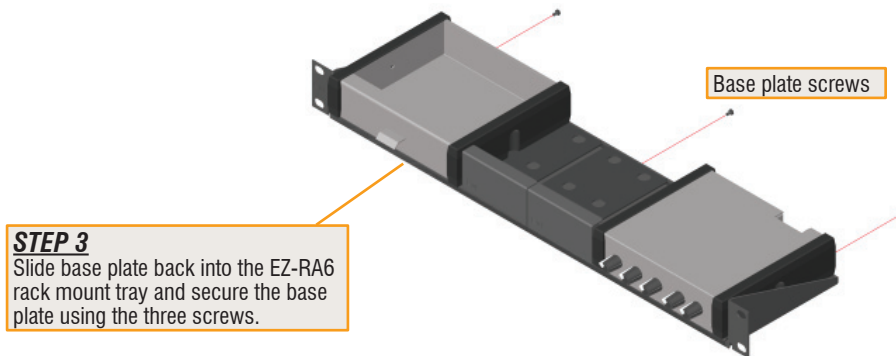
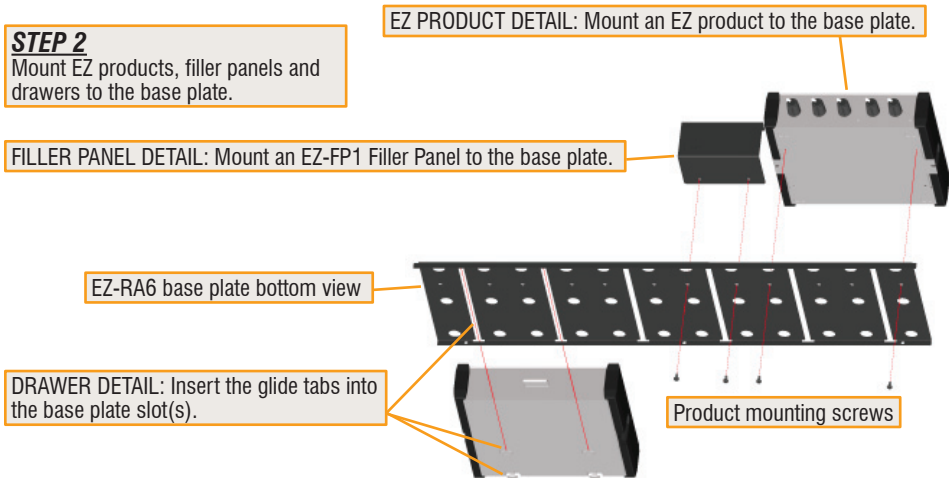
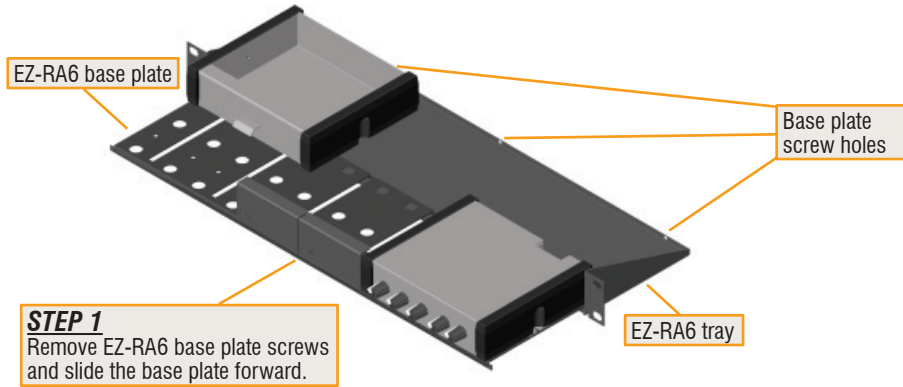


EZ drawer mounting slots

EZ product mounting screw holes



PRODUCT INSTALLATION IN EZ-RA6



OTHER SELECTED EZ SERIES MOUNTING ACCESSORIES

EZ-CC6

Component Chassis for 6 Increments of 1/6 Rack Width



EZ-UCB2

Under-Counter Brackets 1/6 or 1/3 Rack Width



EZ-FP1

Filler Panel 1/6 Rack Width



Mounts in EZ-CC6 and EZ-RA6

EZ-SMB1

Surface Mount Bezel for 1/6 Rack Width Products



EZ-SMB2

Surface Mount Bezel for 1/3 Rack Width Products



EZ-SD1

Storage Drawer 1/6 Rack Width



Use EZ-SD1 and EZ-SD2 in Place of Filler Panel(s)
Drawers Hold Adapters and Cables
Mount in EZ-CC6 and EZ-RA6

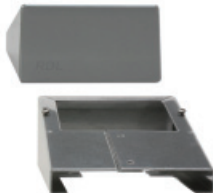
EZ-SD2

Storage Drawer 1/3 Rack Width



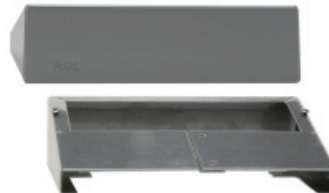
EZ-DC1

Desktop Chassis 1/6 Rack Width



EZ-DC2

Desktop Chassis 1/3 Rack Width



Complete accessory listing available at: rdlez.com

CE

891-1630

Copyright © 2009 Radio Design Labs, Inc. RDL, Radio Design Labs and the RDL logo are registered trademarks of Radio Design Labs, Inc. Data reflects product at publication time, subject to change without notice. "Made in USA" applies to all EZ products except power supplies.